

Bariatric Products

BY AMG AND AQUASENSE



Foot Print (L x W)
27 1/8" x 20 1/8"
69.2 cm x 51.1 cm



Extra-Wide Commode

770-314

This commode is designed to support patients weighing up to 500 lb (227 kg). It is made of high performance steel with powder coated acrylic for prolonged rust resistance. It is also made 7" wider between the armrests than our standard commode to comfortably accommodate heavier users. The 19 1/4" clearance assures that it can easily be used over a toilet or with its pail.

Pail: 12" diameter x 6 3/4" depth



*See table for dimensions
*Spare parts available



Foot Print (L x W)
28" x 20"
71.1 cm x 50.8 cm



Bariatric Drop Arm Commode

770-322

This practical institutional commode is designed to facilitate access from any side while providing safety and support to heavier patients. The Extra Wide frame is constructed of a sturdy rust-resistant powder coated steel and the components are constructed of sturdy PVC plastic; for a weight capacity of up to 700 lb. The sturdy arm mechanism easily snaps into place and disengages with a "one finger movement" to make patient transfers easy and safe. It's adaptable, 5 height positions, and its clearance level assures that it can be easily used over a toilet or simply with its pail. It can also be used with or without the back support to minimize space usage. It features an extra wide width between armrests and extra wide seat; full-length plastic armrests for added support for enhanced patient safety and comfort.

Pail: 10 1/2" diameter x 6 1/4" depth

Easy to use: Easy, tool-free, pushbutton assembly.

Superior Compatibility: Adjustable Leg / Seat Height from 19 3/8" to 23 1/4" (in 1" increments) to accommodate many toilet heights



*See table for dimensions
*Spare parts available



Foot Print (L x W)
29" x 21"
73.8 cm x 50.8 cm



*See table for dimensions
*Spare parts available



AquaSense® Bariatric Transfer Bench with Armrest

770-422

This Bariatric Transfer Bench is built with a heavy duty anodized rust-resistant aluminum frame for a weight capacity of up to 700 lb. The easy to clean, lightly textured, molded seat and extension prevent slipping and feature large drainage holes and a comfortable back rest for added comfort and stability. The backrest can be positioned for a left entry or a right entry, with an armrest support. Five (5) adjustments Leg / Seat Height (in 1" increments) from 16 1/4" to 20 1/4" accommodate many situations and make it convenient and safe for the patient and caregiver. Large slip resistant rubber safety tips secure the bench and the extension to the floor.

Easy to use: Easy, tool-free, pushbutton assembly.



*See table for dimensions
*Spare parts available



Foot Print (L x W)
18 1/4" x 21"
46.3 cm x 53.3 cm



*See table for dimensions
*Spare parts available



AquaSense® Bariatric Bath Bench

770-532

This Bariatric Bath Bench is built with a heavy duty anodized rust-resistant aluminum frame for a weight capacity of up to 700 lb. The easy to clean lightly textured molded seat prevents slipping and features large drainage holes and a comfortable back rest for added comfort and stability. Five (5) adjustments Leg/ Seat Height (in 1" increments) from 16 1/4" to 20 1/4" accommodate many situations and make it convenient and safe for the patient and caregiver. Large slip resistant rubber safety tips secure the bench to the floor.

Easy to use: Easy, tool-free, pushbutton assembly.



*See table for dimensions
*Spare parts available

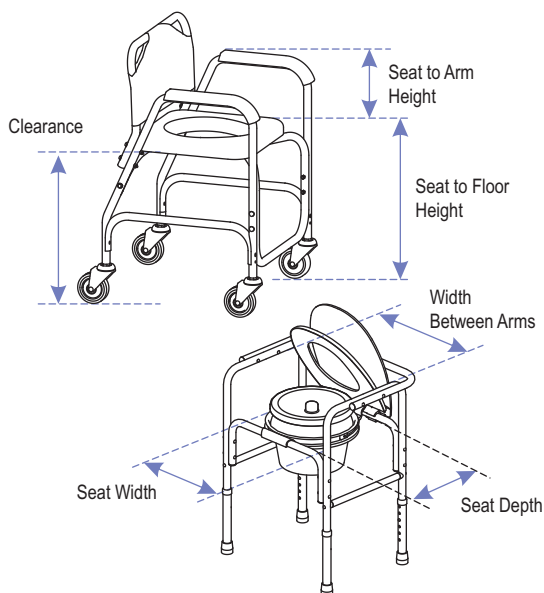


Bariatric Products – Technical Specifications

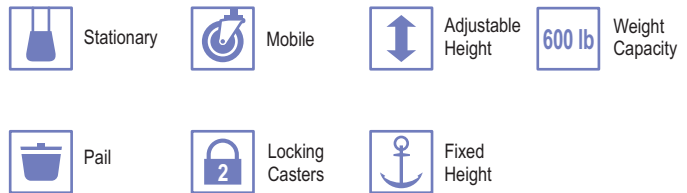


	770-314 Fixed	770-322 Low / High		770-422 Low / High		770-532 Low / High	
Weight	18.3 lb (8.3 kg)	21.85 lb (9.91 kg)		13.8 lb (6.3 kg)		10.9 lb (4.94 kg)	
Clearance	19 1/4" (48.9 cm)	17" (43.2 cm)	21 1/4" (54 cm)	14 1/4" (36.2 cm)	18 1/4" (46.3 cm)	N/A	
Seat to Floor Height	21 1/2" (54.6 cm)	19 1/4" (48.9 cm)	23 1/2" (59.7 cm)	16 1/8" (41 cm)	20 1/8" (51.2 cm)	16 1/4" (41.2 cm)	20 1/4" (51.2 cm)
Overall Height	27" (68.6 cm)	28" (71.2 cm)	32" (81.2 cm)	28 3/4" (73.1 cm)	32 3/4" (83.3 cm)	28 3/4" (73.1 cm)	32 3/4" (83.3 cm)
Seat to Arm Height	6" (15.2 cm)	8" (20.3 cm)		5 3/4" (14.7 cm)		N/A	
Seat Depth	16 1/2" (41.9 cm)	18" (45.8 cm)		16 1/8" (41 cm)		16 1/8" (41 cm)	
Seat Width	14" (35.6 cm)	23 1/8" (58.7 cm)		26 1/2" (67.3 cm)		17 1/8" (43.5 cm)	
Width Between Arms	24" (61 cm)	25 1/4" (64 cm)		Offset: 1 1/4" (3 cm)		N/A	
Weight Capacity	500 lb (227 kg)	700 lb (318 kg)		700 lb (318 kg)		700 lb (318 kg)	

Dimensions Legend



Icon Legend



To learn more about these products or any other AMG product, contact your AMG Representative, call toll-free at 1-800-363-2381 or visit our web site.

AMG AMG Medical Inc.
Montreal, QC H4T 1V5
www.amgmedical.com