

SIMPLE. GENIUS.

Upgrade your department to the flexibility of the DRX-Evolution. Convert to DR today with a solution that can grow to fit your needs tomorrow. DRX-Evolution is the world's first Integrated DR suite powered by the innovative Carestream DRX-1 System. This remarkable system matches the world's first cassette-sized DR detector, DRX-1, with a fully automated suite of precision x-ray equipment.



Virtually unlimited positioning freedom - an innovation in digital radiography. **Siemens**

SIMPLE. GENIUS.

Virtually Unlimited Positioning Freedom

The flexibility of a DR cassette meets the automation of a real DR suite. Whether you are upgrading a DRX-1 room or considering a full suite, the flexibility of cassette positioning is a clear advantage. The rapid speed of wireless DR means the image will appear on the console in seconds, while the detector size means you will never again struggle to move the patient around a fixed DR Detector.

The innovative DRX-Evolution digital radiography solution with DRX-1 was built with the input of users like you. This breakthrough combination will simplify even the most challenging views to let you maximize productivity and patient care.

System Components:

- Gull Wing Wall Stand that extends, tilts, swings and glides to a full 6 axis of motion
- Easy positioning heavy duty 4 way float elevating table
- Intelligent OTC with touch screen
- Integrated Operator Console
- Choice of generators 65 or 80KW

Easy Operation by Design

Select the patient from the console worklist and hold the remote autoposition button, the system automatically positions itself to prepare for the examination. Slide the detector from the Bucky tray to the table for easy tabletop views. Move the wall stand easily along side the table for cross table views.

Control the entire system from the tube head touch screen. Adjust technique, SID, filtration, view and much more without leaving the patient's side.

The DRX-Evolution system is designed to make difficult exams go quickly and smoothly.

Precision Engineered by Carestream Health

Carestream has built six generations of DR built on a legacy of leadership in imaging. The result is clinical excellence without compromise. Smooth rapid motion and automation that makes your job easier.



SIMPLE. GENIUS.

DRX Evolution

YOUR RADIOGRAPHY FACILITY IS UNIQUE. THAT'S WHY WE CREATED THE DRX-EVOLUTION.

This versatile digital radiography system uses modular components that you can configure to fit your space, procedures, workflow, and budget. It can be scaled to meet growing or changing requirements for medical facilities of any size.

Choose from one, two or three detector options to perform a wide variety of general radiography examinations (including trauma) with remarkable convenience, productivity, and patient comfort.

Whichever configuration is best for you, proprietary CARESTREAM Image Processing Software will provide outstanding image quality. And Carestream Health professional services will provide a single source of expert support to optimize system implementation and performance.

Overhead tube motorization and synchronization

Minimize equipment positioning with an overhead tube that will track detector movement (wall stand or elevating table) for consistent, source-to-detector alignment.

Push-button control will enable auto-centering and auto-perpendicularity of the x-ray source-to-detector alignment.*

Auto-positioning

Improve workflow and pre-program tube and Bucky positions (generator parameters, collimator setting, and more).

Select any pre-programmed exam and the equipment will automatically move into position.*

Required operator presence enhances patient safety.

*May require manual movement for fine detector/tube alignment

Additional software options enhance image quality and workflow.

Take image quality and diagnostic confidence to a new level. Optional KODAK DIRECTVIEW EVP Plus Software extends image latitude without loss of detail contrast.

KODAK DIRECTVIEW Capture Link System integrates up to five KODAK DIRECTVIEW DR and/or CR Systems to streamline workflow when a study includes DR and CR images.

Obtain patient data directly from the hospital HIS/RIS system, eliminating the need for manual data entry with optional KODAK DICOM Work List Management Service Class User Software.

Accessories

Low-profile, easy-to-clean floor rails for lateral movement of the wall stand.

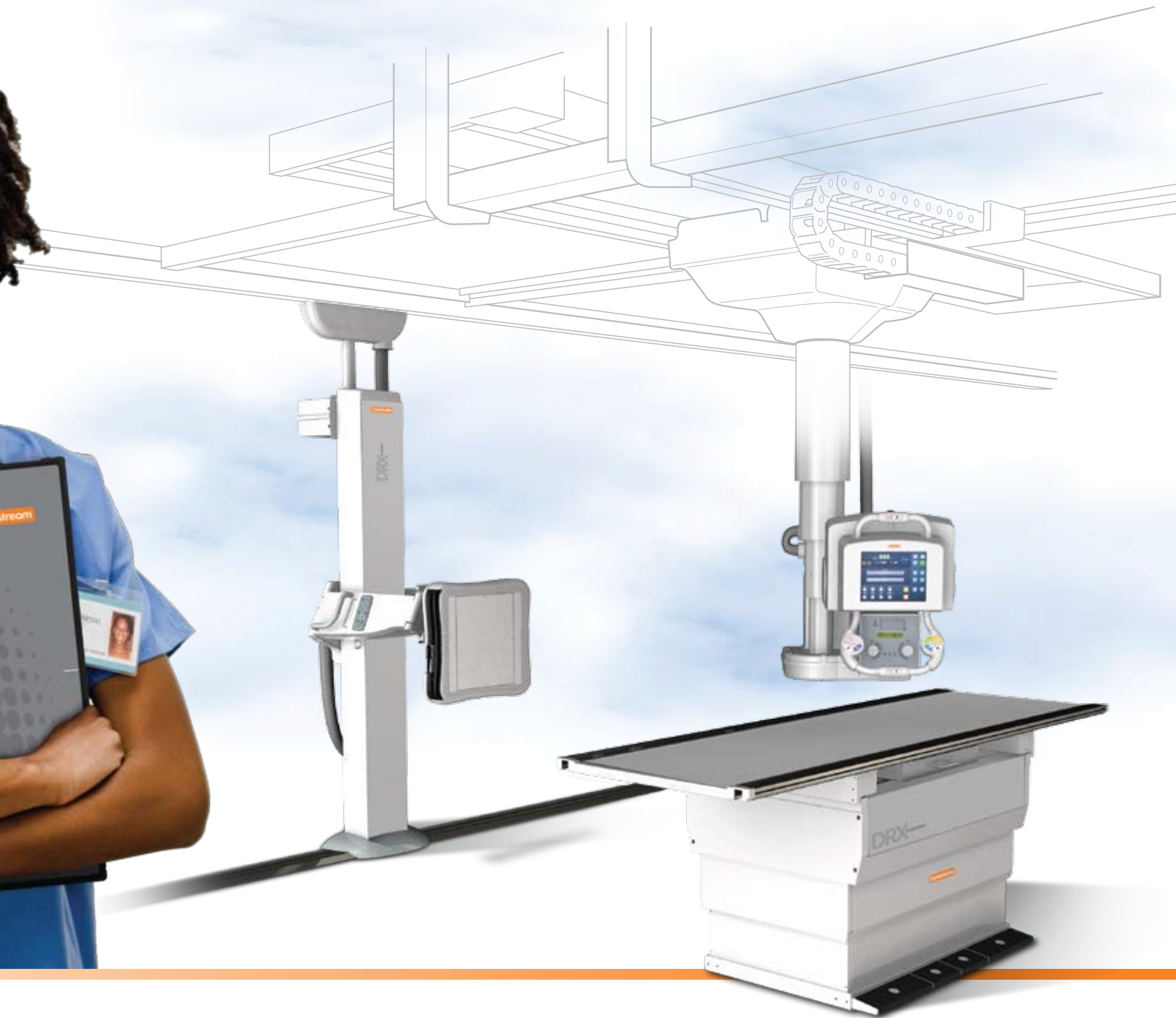
Movable fixed-height or elevating gurney without detector.

Dose area product meter.



A POWERFUL IMAGING SOLUTION

With flexibility of the world's first wireless cassette-sized detector, DRX-1 makes positioning fast and easy.



The innovative DRX-Evolution digital radiography solution combined with the DRX-1, was built to make light work of challenging views – allowing you to maximize productivity and increase patient care. System components include:

- Gull wing wall stand that extends, tilts, swings and glides to a full 6 axis of motion
- Easy positioning heavy duty 4 way float elevating table
- Intelligent OTC with touch screen
- Integrated Operator Console
- Choice of generators 65 or 80KW

THE GULL WING WALL STAND. SIMPLE. GENIUS.

Flexible and ergonomically designed, this wall stand saves space, enhances workflow, is easy to use, and simplifies patient positioning.

Wide range of motion

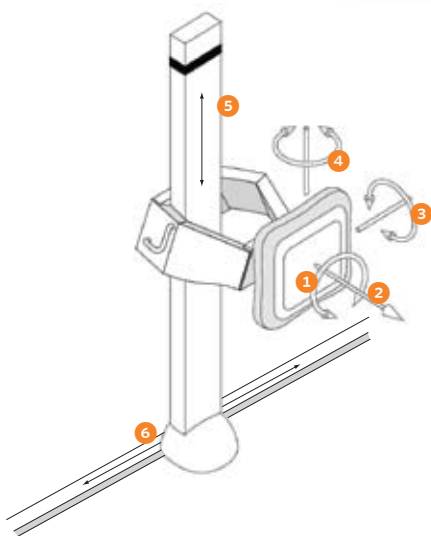
Accommodate a wide variety of patients and projections with a Bucky that has an extensive vertical range of motion.

Perform horizontal projections of patients with Bucky tilt capability from negative vertical (-20°) to horizontal (90°). Lock the Bucky at any tilt angle, which will be displayed on the Bucky arm.

Swing (angulate) the Bucky from side-to-side $\pm 45^\circ$ with detents every 15° .

Optional low-profile, easy-to-clean, floor-mounted rail system allows for moving the entire wall stand laterally.

Tracking option enables automatic alignment of the detector with the overhead tube (up and down wall stand and along optional rail).*



Broad range of exams

Use this stand for upright examinations such as chest, lateral cervical spine, standing knee, and more.

Unique, retractable, space-efficient Bucky makes patient access easy for a variety of exams such as patients in wheelchairs.

Rotate, tilt, and angulate the Bucky with six-axis movement.

Position the Bucky horizontally for upper extremity studies or under an optional movable table for projections of supine patients.

Perform cross-table exams of patients on gurneys using the side-to-side swing feature.

Ergonomic design and options

Control the Bucky from either side of the wall stand, or with a remote control.

Adjust Bucky height and tilt, turn collimator light on and off, control wall-stand travel on an optional low-profile floor rail system, activate optional automatic overhead tube/detector synchronization, and more—all with convenient operator controls.*

FLEXIBILITY. 6 AXIS OF MOTION. PLUS.

Position the detector where you need it - at the angle, tilt or rotation to capture the image. Or pull out the DRX-1 for non-Bucky work.

VIRTUALLY UNLIMITED

DRX EV

*Components can be moved manually for fine detector/tube alignment.

THE INTELLIGENT OTC. SIMPLE. GENIUS.

Flexible and user friendly touch screen display puts key data and controls where needed to streamline the examination process.

Save time and effort with controls designed and positioned for convenience and efficiency.

Monitor exams using a convenient LCD with self-righting data displays of radiographic techniques and key data. These include SID, kVp/mAs, exam type, tube head angle, active detector, auto-centering, and auto-tracking.

Patient name and ID can be viewed by the radiographer at the touch of a button, but are not visible when the button is released.

Optional motorization enables the overhead tube to track to the active detector and provide auto-centering and auto-perpendicularity.*

Select collimator filtration with the push of a button. There is no need to manually insert filters.

THE EASY POSITIONING TABLE. SIMPLE. GENIUS.

**General radiography exams,
including trauma**

This versatile, fixed table enhances workflow and productivity by aiding and simplifying patient positioning for a broad range of projections.

Easy to use, this four-way float and elevating table can readily accommodate patients up to 600 lb (272 kg).

Table detector and overhead tube can be set up with automatic tracking along the length of the table, avoiding the need to reach to reposition the tube.

Table movement is enabled through double-tap foot pedals, providing more safety for patients being imaged on the table.



POSITIONING FREEDOM – AN INNOVATION IN DIGITAL RADIOGRAPHY

EVOLUTION

One space-saving console controls all imaging functions.

Single integrated console controls both generator and image processing.

Supports workflow enhancing protocols such as DxIOD, IHE Scheduled Workflow and IHE Consistent Presentation of Images.

Flexible user interface can be customized to match clinical workflow.

Optional Capture Link allows you to work with both CR and DR images on one console.

Intuitive touch screen user interface consistent with all KODAK DIRECTVIEW CR and DR systems.

Carestream Health Service & Support - A team of experts to optimize system performance.

Count on timely, dependable Carestream Health service and support for your DRX-Evolution System.

Secure remote diagnostic services help optimize uptime, reduce service calls, and expedite service by enabling support personnel to arrive on site with necessary parts.

Carestream Health's team of more than 1,700 service professionals worldwide is dedicated to keeping you up and running at peak performance.

Carestream Health professional services offers a portfolio of expert support from site planning and project management to DICOM and integration services.

www.carestreamhealth.com

More Information

To learn more about the CARESTREAM DRX-Evolution, contact your local authorized distributor or Carestream Health representative.

Carestream Health, Inc.
150 Verona Street
Rochester, NY 14608
U.S.A.

Carestream Health Canada Company
6 Monogram Place
Suite 200
Toronto Ontario M9R 0A1
CANADA



Carestream 
HEALTH