



Blood Tubes and Lancets

1-800-962-9888



COVIDIEN

positive results for life™

Table of Contents

BLOOD COLLECTION

MONOJECT™ BLOOD COLLECTION PRODUCTS

Safety Lancet	4
Lancet.....	4

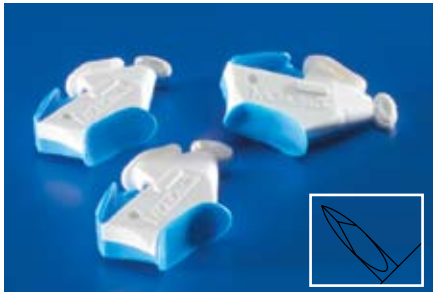
CORVAC™ INTEGRATED SERUM SEPARATOR TUBES

Red/Grey Stopper	5
Red/Yellow Stopper	6
Red/Green Stopper.....	6

MONOJECT™ STANDARD COLLECTION TUBES

Red Stopper	7
Light Blue Stopper	8
Lavender Stopper.....	8, 9
Green Stopper	9
Grey Stopper	10
Yellow Stopper	10
Red/Yellow Stopper	10
Royal Blue Stopper	11
Tube Caps	12

Monoject™ Collection Lancets



Monoject™ Safety Lancets - Sterile

- Lever-actuated safety device for finger sticks
- Also for heel sticks requiring low blood volume
- Automatically retracts and locks after puncture
- Uniformly ground, tri-bevel point
- Controlled penetration depth of, 2.4mm, 21 gauge lancet
- Twist-off protective cap.

Code	Description	Qty in Box	Ship Case
8881602091	Safety Lancet	50	400



Monoject™ Blood Lancets - Sterile

- Uniformly ground, tri-bevel point
- Controlled puncture depth, 3.2mm, 21 gauge lancet
- Molded plastic ribbed handle
- Twist off protective top

Code	Description	Qty in Box	Ship Case
8881602125	Blood Lancet, blue	100	2400
8881602018	Blood Lancet, blue	200	5000



Monoject™ Thin Lancets - Sterile

- Ultra comfortable sampling means less trauma
- Controlled puncture depth, 3.2mm, 28 gauge lancet
- Uniformly ground, tri-bevel point.
- Twist off protective cap.

Code	Description	Qty in Box	Ship Case
8881602208	Thin Lancet, purple	100	2400
8881602216	Thin Lancet, purple	200	5000

Corvac™ Integrated Serum Separator Tubes

Integrated Serum Separator Tubes - All Corvac™ tubes contain an inert acrylic gel. Glass powder activates the clotting of blood. Silicone coated tube indicates that the interior surface of the Corvac™ tube has been coated with water soluble silicone material. Sterilization applies to the tube and stopper interior only, and not to the outside of the tube or to the packaging. Tubes are sterilized by gamma radiation.



Monoject™ Corvac™ Red/Grey Mottled Stopper



- Crown Corvac™ gel placement for improved performance and more sample yield
- Laboratory procedures requiring serum with a positive gel barrier between blood cells and serum - general chemistry, serology and toxicology procedures
- TDM compatible
- Can be used with both Angle-head and Horizontal-head centrifuges.
- Sterile tube interior

Code	Size(mm)	Approx. Draw (mL)	Ship Case
Silicone Coated Tubes - Latex Free			
8881302072	13 x 75	4.0	500
8881302106	13 x 100	6.0	500
8881302163	13 x 100 Transport*	5.5	500
8881302015	16 x 100	9.0	500
8881302031	16 x 100 Transport*	8.5	500
8881302114	16 x 125	12.5	500



Monoject™ Corvac™ Red/Grey Mottled Stopper - Plastic tube



- Crown Corvac™ gel placement for improved performance and more sample yield
- Laboratory procedures requiring serum with a positive gel barrier between blood cells and serum - general chemistry, serology and toxicology procedures
- TDM compatible
- Shatter-resistant plastic tube
- Sterile tube interior

Code	Size(mm)	Approx. Draw (mL)	Ship Case
Silicone Coated Tubes - Latex Free			
8881303005	16 x 100	8.5	500
8881302171	16 x 100 Transport*	8.0	500

*Sizes noted with "Transport" to provide optimum results with angle-head centrifuges.

Corvac™ Integrated Serum Separator Tubes



Monoject™ Corvac™ Stat-Vac Red/Yellow Mottled Stopper



- Crown Corvac™ gel placement for improved performance and more sample yield
- Laboratory procedures requiring serum with a positive gel barrier between blood cells and serum - general chemistry, serology and toxicology procedures
- TDM compatible
- Sterile tube interior

Code	Size(mm)	Approx. Draw (mL)	Ship Case
Fast Clotting with Thrombin Silicone Coated Tubes - Latex Free			
8881302312	13 x 100	6.0	500
8881302304	16 x 100	9.0	500



Monoject™ Corvac™ Red/Green Mottled Stopper



- Crown Corvac™ gel placement for improved performance and more sample yield
- Contains Lithium Heparin
- Laboratory procedures requiring a plasma sample combined with a positive gel barrier between blood cells and plasma
- TDM compatible
- Sterile tube interior

Code	Size(mm)	Approx. Draw (mL)	Ship Case
Silicone Coated Tubes - Latex Free			
8881302148	13 x 75	4.0	500
8881302130	13 x 100	6.0	500

Monoject™ Standard Blood Collection Tubes

Standard Blood Collection Tubes - Silicone coated tube indicates that the interior surface of the Monoject™ Blood Collection Tube has been coated with a water soluble silicone material. Sterilization applies to the tube and stopper interior only, and not to the outside of the tube or to the packaging. Tubes are sterilized by gamma radiation.



Monoject™ Red Stopper

- Laboratory procedures requiring serum - general chemistry and serology procedures
- Sterile tube interior

Code	Size(mm)	Draw (mL)	Coating	Ship Case
No Additive, Silicone Coated Tubes - Latex Free				
8881301116	10.25 x 50	2	Glycerine	1000
8881301215	10.25 x 64	3	Glycerine	1000
8881301314	10.25 x 82	4	Glycerine	1000
8881301413	13 x 75	5	Silicone	1000
8881301512	13 x 100	7	Silicone	1000
8881301611	16 x 75	7	Silicone	1000
8881301710	16 x 100	10	Silicone	1000
8881301819	16 x 125	15	Silicone	1000



Monoject™ Red Stopper

- Laboratory procedures requiring serum - general chemistry and serology procedures
- Sterile tube interior

Code	Size(mm)	Draw (mL)	Coating	Ship Case
No Additive, Non-Silicone Coated Tubes - Latex Free				
8881302411	13 x 75	5	Silicone	1000
8881302510	13 x 100	7	Silicone	1000
8881302718	16 x 100	10	Silicone	1000

Monoject™ Standard Blood Collection Tubes



Monoject™ Light Blue Stopper

- Laboratory procedures requiring plasma or whole blood routine coagulation procedures
- Sterile tube interior

Code	Size (mm)	Draw (mL)	Stopper Coating	Additive	Ship Case
Liquid Additive, Non-Silicone Coated Tubes - Latex Free					
8881340288	10.25 x 64	2.7	Silicone	Buffered Sodium Citrate 0.3ml 3.2% (0.109M) Solution	1000
8881340486	13 x 75	4.5	Silicone	Buffered Sodium Citrate 0.5ml 3.2% (0.109M) Solution	1000
8881340585	13 x 100	4.5	Silicone	Buffered Sodium Citrate 0.5ml 3.2% (0.109M) Solution	1000
8881340312	10.25 x 50	1.8	Silicone	Buffered Sodium Citrate 0.2ml 3.8% (0.129M) Solution	1000
8881340270	10.25 x 64	2.7	Silicone	Buffered Sodium Citrate 0.3ml 3.8% (0.129M) Solution	1000
8881340478	13 x 74	4.5	Silicone	Buffered Sodium Citrate 0.3ml 3.8% (0.129M) Solution	1000



Monoject™ Lavender Stopper

- Laboratory procedures requiring plasma or whole blood - general hematology and certain chemistry procedures
- Sterile tube interior

Code	Size (mm)	Draw (mL)	Stopper Coating	Additive	Ship Case
Powdered Additive, Non-Silicone Coated Tubes - Latex Free					
8881310240	10.25 x 64	3	Glycerine	EDTA (Na ₂) 4.5mg	1000
8881310448	13 x 75	5	Silicone	EDTA (Na ₂) 7.5mg	1000
8881310547	13 x 100	7	Silicone	EDTA (Na ₂) 10.5mg	1000
8881310646	16 x 75	7	Silicone	EDTA (Na ₂) 10.5mg	1000
8881310745	16 x 100	10	Silicone	EDTA (Na ₂) 15.0mg	1000

Monoject™ Standard Blood Collection Tubes



Monoject™ Lavender Stopper

- Laboratory procedures requiring plasma or whole blood - general hematology and certain chemistry procedures
- Sterile tube interior

Code	Size (mm)	Draw (mL)	Stopper Coating	Additive	Ship Case
Liquid Additive, Non-Silicone Coated Tubes - Latex Free					
8881311149	10.25 x 50	2	Glycerine	EDTA (K ₃) 0.04ml, 7.5% Solution	1000
8881311248	10.25 x 64	3	Glycerine	EDTA (K ₃) 0.06ml, 7.5% Solution	1000
8881311347	10.25 x 82	4	Glycerine	EDTA (K ₃) 0.045ml, 15% Solution	1000
8881314440	13 x 75	3	Silicone	EDTA (K ₃) 0.06ml, 7.5% Solution	1000
8881311446	13 x 75	5	Silicone	EDTA (K ₃) 0.05ml, 15% Solution	1000
8881311545	13 x 100	7	Silicone	EDTA (K ₃) 0.07ml, 15% Solution	1000
8881311644	16 x 75	7	Silicone	EDTA (K ₃) 0.07ml, 15% Solution	1000
8881311743	16 x 100	10	Silicone	EDTA (K ₃) 0.10ml, 15% Solution	1000



Monoject™ Green Stopper

- Laboratory procedures requiring plasma or whole blood - general hematology and certain chemistry procedures
- Sterile tube interior

Code	Size (mm)	Draw (mL)	Stopper Coating	Additive	Ship Case
Dry Additive, Non-Silicone Coated Tubes - Latex Free					
8881320157	10.25 x 50	2	Glycerine	Sodium Heparin 143 Units	1000
8881320256	10.25 x 64	3	Glycerine	Sodium Heparin 143 Units	1000
8881320454	13 x 75	5	Silicone	Sodium Heparin 143 Units	1000
8881320553	13 x 100	7	Silicone	Sodium Heparin 143 Units	1000
8881320751	16 x 100	10	Silicone	Sodium Heparin 143 Units	1000
8881321254	10.25 x 64	3	Glycerine	Lithium Heparin 143 Units	1000
8881321452	13 x 75	5	Silicone	Lithium Heparin 143 Units	1000
8881321551	13 x 100	7	Silicone	Lithium Heparin 143 Units	1000
8881321759	16 x 100	10	Silicone	Lithium Heparin 143 Units	1000

Monoject™ Standard Blood Collection Tubes



Monoject™ Grey Stopper

- Laboratory procedures requiring plasma or whole blood - chemistry procedures where glycolytic inhibition of specimen is required
- Sterile tube interior

Code	Size (mm)	Draw (mL)	Stopper Coating	Additive	Ship Case
Powdered Additive, Non-Silicone Coated Tubes - Latex Free					
8881352283	10.25 x 64	3	Glycerine	6.0mg Potassium Oxalate, 7.5mg Sodium Fluoride	1000
8881352481	13 x 75	5	Silicone	10.0mg Potassium Oxalate, 12.5mg Sodium Fluoride	1000
8881352580	13 x 100	7	Silicone	14.0mg Potassium Oxalate, 17.5mg Sodium Fluoride	1000
8881352788	16 x 100	10	Silicone	20.0mg Potassium Oxalate, 25.0mg Sodium Fluoride	1000



Monoject™ Yellow Stopper

- Laboratory procedures requiring plasma or whole blood - chemistry procedures where glycolytic inhibition of specimen is required
- Sterile tube interior

Code	Size (mm)	Draw (mL)	Additive	Ship Case
Liquid Additive, Non-Silicone Coated Tubes - Latex Free				
8881361995	16 x 100	10	Sodium Polyanetholesulfonate (SPS) 0.68ml SPS 0.35% in 0.85% Sodium Chloride	1000

Fast Clotting with Thrombin



Monoject™ Red/Yellow Mottled Stopper

- Laboratory procedures requiring fast clotting and serum - general chemistry and blood bank
- Sterile tube interior

Code	Size(mm)	Draw (mL)	Ship Case
Fast Clotting with Thrombin Silicone Coated Tubes - Latex Free			
8881380003	16 x 100	10	500

Monoject™ Standard Blood Collection Tubes



Monoject™ Royal Blue Stopper

- Laboratory procedures requiring serum - toxicology and nutritional studies
- Sterile tube interior

Code	Size(mm)	Draw (mL)	Coating	Ship Case
Trace Element				
No Additive, Silicone Coated Tubes - Latex Free				
8881307006	13 x 100	7	Silicone	1000



Monoject™ Royal Blue Stopper

- Laboratory procedures requiring plasma or whole blood toxicology and nutritional studies
- Sterile tube interior

Code	Size (mm)	Draw (ml)	Stopper Coating	Additive	Ship Case
Trace Element					
Powdered Additive, Non-Silicone Coated Tubes - Latex Free					
8881307022	13 x 100	7	Silicone	EDTA (Na ₂) 10.5mg	1000



MONOJECT™ Royal Blue Stopper

- Laboratory procedures requiring plasma or whole blood toxicology and nutritional studies
- Sterile tube interior

Code	Size (mm)	Draw (ml)	Stopper Coating	Additive	Ship Case
Trace Element					
Dry Additive, Non-Silicone Coated Tubes - Latex Free					
8881307014	13 x 100	7	Silicone	Sodium Heparin 143 Units	1000

Monoject™ Tube Caps

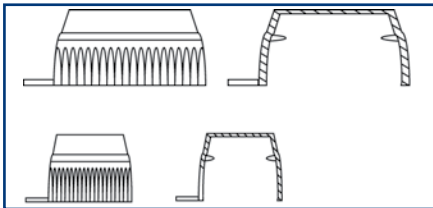


Monoject™ Caps

- Designed for easy-on, easy-off use; exclusive thumb tab makes cap removal simple, quick and fatigue free
- Supplied in a convenient, re-sealable, polybag-lined dispenser box; ideal for bench top use
- Available in six colors which match the original blood tube stopper



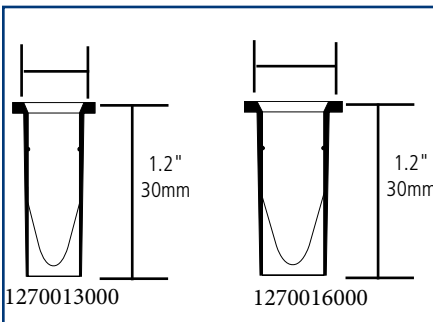
Code	Description	Ship Case
Latex Free		
1270019500	13mm White, 1,000/pk	10,000
1270019501	13mm Red, 1,000/pk	10,000
1270019502	13mm Blue, 1,000/pk	10,000
1270019503	13mm Green, 1,000/pk	10,000
1270019504	13mm Yellow, 1,000/pk	10,000
1270019505	13mm Lavender, 1,000/pk	10,000
1270019400	16mm White, 1,000/pk	10,000
1270019401	16mm Red, 1,000/pk	10,000
1270019404	16mm Yellow, 1,000/pk	10,000



Monoject™ Sample Caps - Sterile

- Samples are poured from blood collection tubes into the cup which is immediately placed inside the tubes, eliminating the need to relabel
- Lower shoulder height prevents mechanical jamming of the instrument sample arm against the cup
- Packaged in polybags
- High clarity polystyrene

Code	Description	Ship Case
Latex Free		
1270013000	13mm Ezee-Nest 1,000/Pack 1.0ml	5,000
1270016000	16mm Ezee-Nest 1,000/Pack 2.0ml	5,000



INDEX

CODE	PRODUCT	PAGE	CODE	PRODUCT	PAGE
1270013000	Monoject™ Sample Caps 13mm Ezee-Nest 1,000/Pack 1.0ml	12	8881310448	Monoject™ Lavender Stopper 13 x 75	8
1270016000	Monoject™ Sample Caps 16mm Ezee-Nest 1,000/Pack 2.0ml	12	8881310547	Monoject™ Lavender Stopper 13 x 100	8
1270019400	Monoject™ Caps 16mm White, 1,000/pk	12	8881310646	Monoject™ Lavender Stopper 16 x 75	8
1270019401	Monoject™ Caps 16mm Red, 1,000/pk	12	8881310745	Monoject™ Lavender Stopper 16 x 100	8
1270019404	Monoject™ Caps 16mm Yellow, 1,000/pk	12	8881311149	Monoject™ Lavender Stopper 10.25 x 50	9
1270019500	Monoject™ Caps 13mm White, 1,000/pk	12	8881311248	Monoject™ Lavender Stopper 10.25 x 64	9
1270019501	Monoject™ Caps 13mm Red, 1,000/pk	12	8881311347	Monoject™ Lavender Stopper 10.25 x 82	9
1270019502	Monoject™ Caps 13mm Blue, 1,000/pk	12	8881311446	Monoject™ Lavender Stopper 13 x 75	9
1270019503	Monoject™ Caps 13mm Green, 1,000/pk	12	8881311545	Monoject™ Lavender Stopper 13 x 100	9
1270019504	Monoject™ Caps 13mm Yellow, 1,000/pk	12	8881311644	Monoject™ Lavender Stopper 16 x 75	9
1270019505	Monoject™ Caps 13mm Lavender, 1,000/pk	12	8881311743	Monoject™ Lavender Stopper 16 x 100	9
8881301116	Monoject™ Red Stopper 10.25 x 50	7	8881314440	Monoject™ Lavender Stopper 13 x 75	9
8881301215	Monoject™ Red Stopper 10.25 x 64	7	8881320256	Monoject™ Green Stopper 10.25 x 64	9
8881301314	Monoject™ Red Stopper 10.25 x 82	7	8881320454	Monoject™ Green Stopper 13 x 75	9
8881301413	Monoject™ Red Stopper 13 x 75	7	8881320553	Monoject™ Green Stopper 13 x 100	9
8881301421	Monoject™ Red Stopper 13 x 75	7	8881320751	Monoject™ Green Stopper 16 x 100	9
8881301512	Monoject™ Red Stopper 13 x 100	7	8881321254	Monoject™ Green Stopper 10.25 x 64	9
8881301611	Monoject™ Red Stopper 16 x 75	7	8881321452	Monoject™ Green Stopper 13 x 75	9
8881301710	Monoject™ Red Stopper 16 x 100	7	8881321551	Monoject™ Green Stopper 13 x 100	9
8881301819	Monoject™ Red Stopper 16 x 125	7	8881321759	Monoject™ Green Stopper 16 x 100	9
8881302015	Monoject™ Corvac™ Red/Grey Mottled Stopper 16 x 100	5	8881340270	Monoject™ Light Blue Stopper 10.25 x 64	8
8881302031	Monoject™ Corvac™ Red/Grey Mottled Stopper 16 x 100 Transport*	5	8881340288	Monoject™ Light Blue Stopper 10.25 x 64	8
8881302072	Monoject™ Corvac Red/Grey Mottled Stopper 13 x 75	5	8881340312	Monoject™ Light Blue Stopper 10.25 x 50	8
8881302106	Monoject™ Corvac™ Red/Grey Mottled Stopper 13 x 100	5	8881340478	Monoject™ Light Blue Stopper 13 x 75	8
8881302114	Monoject™ Corvac™ Red/Grey Mottled Stopper 16 x 125	5	8881340486	Monoject™ Light Blue Stopper 13 x 75	8
8881302130	Monoject™ Corvac™ Red/Green Mottled Stopper 13 x 100	6	8881340585	Monoject™ Light Blue Stopper 13 x 100	8
8881302148	Monoject™ Corvac™ Red/Green Mottled Stopper 13 x 75	6	8881352283	Monoject™ Grey Stopper 10.25 x 64	10
8881302163	Monoject™ Corvac™ Red/Grey Mottled Stopper 13 x 100 Transport*	5	8881352481	Monoject™ Grey Stopper 13 x 75	10
8881302171	Monoject™ Corvac™ Red/Grey Mottled Stopper 6 x 100 Transport*	5	8881352580	Monoject™ Grey Stopper 13 x 100	10
8881302304	Monoject™ Corvac™ Stat-Vac Red/Yellow Mottled Stopper 16 x 100	6	8881352788	Monoject™ Grey Stopper 16 x 100	10
8881302312	Monoject™ Corvac™ Stat-Vac Red/Yellow Mottled Stopper 13 x 100	6	8881361995	Monoject™ Grey Stopper 16 x 100	10
8881302520	Monoject™ Red Stopper 13 x 100	7	8881380003	Monoject™ Red/Yellow Mottled Stopper 16 x 100	10
8881302718	Monoject™ Red Stopper 16 x 100	7	8881602018	Monoject™ Blood Lancet, blue	4
8881303005	Monoject™ Corvac Red/Grey Mottled Stopper, Plastic tube 16 x 100	5	8881602125	Monoject™ Blood Lancet, blue	4
8881307006	Monoject™ Royal Blue Stopper 13 x 100	11	8881602208	Monoject™ Thin Lancet, purple	4
8881307014	Monoject™ Royal Blue Stopper 13 x 100	11	8881602216	Monoject™ Thin Lancet, purple	4
8881307022	Monoject™ Clear Label Royal Blue Stopper 13 x 100	11	8881320157	Monoject™ Green Stopper 10.25 x 50	9
8881310240	Monoject™ Lavender Stopper 10.25 x 64	8			

Notes

Notes



COVIDIEN, COVIDIEN with logo and TM marked brands are trademarks of Covidien AG or an affiliate.
© 2008 Covidien, All rights reserved.

H6200BC XM 11/08

15 HAMPSHIRE STREET
MANSFIELD, MA
02048

800-962-9888
508-261-8000

WWW.COVIDIEN.COM