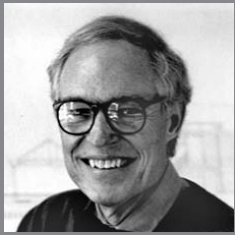


Ultimate Versatility.

Ultimate Comfort.

The Freedom Saddle is equally at home in an office, lab or factory and its multi-use cushion can accommodate the many sitting postures required for countless applications. Whether it's used all day long or tucked under a desk for impromptu, in-office meetings, the Saddle offers a unique and comfortable seating solution unmatched by any other stool.



Designed by Niels Diffrient

"When design springs from an understanding of the people who are going to use a product, you begin to see forms that you would never have imagined."

—Niels Diffrient

Niels Diffrient's designs are grounded in the philosophy of form flowing from function. His work has spanned generations, consistently looking past trends to reinvent the tools we use for daily living.

With an academic foundation in design and architecture and a degree from Cranbrook Academy, Diffrient channels his knowledge of engineering, architecture and human factors into the creation of highly functional and aesthetically timeless designs.

In his early work with the studios of Eero Saarinen, Marco Zanuso, and Henry Dreyfuss, to his current work with Humanscale, Diffrient's visionary talent has been widely recognized. Included among his many honors are the 2002 National Design Award from the Smithsonian's Cooper-Hewitt National Design Museum and the 1999 Chrysler Design Award.

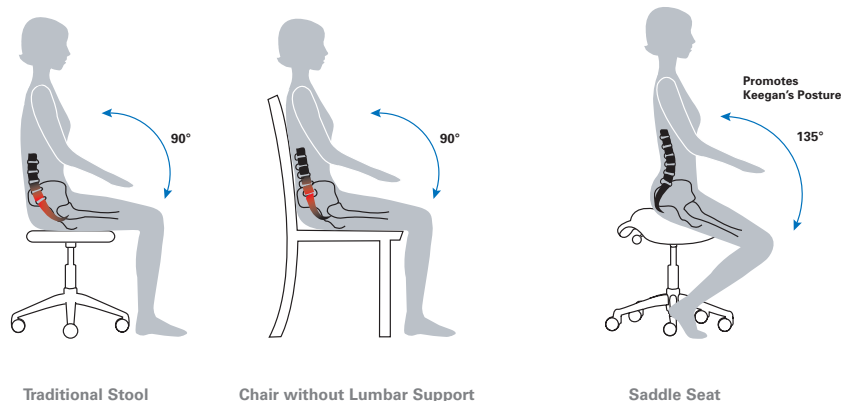


FREEDOM SADDLE SEAT

The Saddle Seat is the most comfortable and versatile stool ever made. Its unique, triangular cushion encourages users to sit in a "saddle" posture, which lowers the thighs, rotates the pelvis forward and puts the spine into its natural lordotic curve. The "saddle" posture also reduces pressure points for longer-term comfort and allows users to get closer to their work. It is ideal for short duration computer work, clinical applications or as a side-seating option.

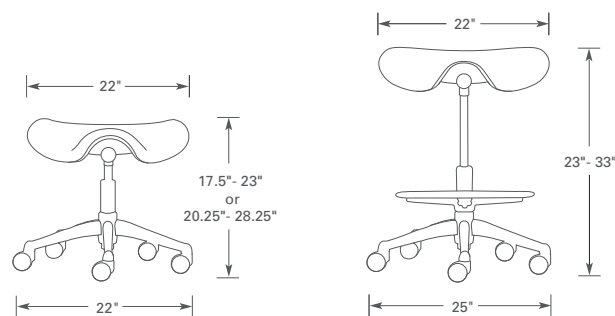
Kyphosis: Increased Disc Pressure
When we sit in a 90° posture without lumbar support, the pelvis rotates backwards and the lumbar curve flattens.

Lordosis: Decreased Disc Pressure
Increasing the angle between the thigh and torso allows the pelvis to rotate forward, which helps maintain the natural curvature of the lower back.



FEATURES / SPECIFICATIONS

- Uniquely contoured triangular cushion allows multiple sitting positions for ultimate comfort.
- Height adjustable pneumatic cylinder accommodates a wide range of users and tasks.
- Optional foot ring and high cylinders for specific applications.
- Available in a wide variety of textiles, including wipeable vinyls for lab, cleanroom and healthcare use.



freedom[®]
Saddle Seat

FRAME OPTIONS



US Headquarters
11 East 26th Street
8th Floor
New York, NY 10010
212 725 4749
212 725 7545 fax

Customer Service
10 Inverness Drive East
Suite 100
Englewood, CO 80112
800 400 0625
303 858 9915
303 858 9916 fax
info@humanscale.com

European Headquarters
16 Britton Street
London EC1M 5SX
+44 207 566 7990
+44 207 566 7991 fax
info@humanscale.co.uk

Our Design Philosophy At Humanscale, we believe the best designs in the world are based on purpose and function. If a design solves a functional problem as simply and elegantly as possible, the resulting form will be honest and timeless.



HS-FSS-805

