

Miltex
Redefining Excellence



FEMALE PATIENT CARE PRODUCTS
(Pessaries, Dilators, Instruments & Disposables)



MILTEX® GYNECOLOGY PRODUCTS

The instruments in this supplement represent the latest patterns added to our growing specialty line of Miltex® Gynecological instruments. In order to focus and showcase these products and patterns, this supplement is designed to be used with the Miltex® Surgical Catalog and with our web site at www.miltex.com, both of which are references for our comprehensive line of Obstetrical and Gynecological products. All Miltex® instruments are manufactured to our highest quality and exacting specifications.

TABLE OF CONTENTS

Pessary Products	2-4
Pessaries	2-3
Pessary Fitting Set.....	4
Pessary Remover	4
GYN Instruments	5
Atraumatic Tenaculum Forceps.....	5
SIMS & SIMPSON Uterine Sounds	5
Cervical & Uterine Biopsy Punch Forceps.....	6
Rotating Shaft Uterine Biopsy Punch Forceps..	7
MeisterHand® Cervical & Uterine Biopsy Punch Forceps.....	7
Vaginal & Cervical Dilators.....	8-9
Silicone Vaginal Dilators.....	8
Reusable Os Cervical Dilator Set.....	9
GYN Disposables	9-12
Disposable Cervical Dilators.....	9
Uterine Sound, Endometrial Sampling Set & Endometrial Biopsy Cannula.....	10
Disposable Electrodes.....	11
Miltex® BiopBlade™ and Biopsy Punches.....	12

Illustrations and content provide general description only and may be subject to change

Note: Some products in this catalog are not available for sale in the EU.

Pessary Products

Miltex offers a selection of soft, pliable, latex-free pessaries in a variety of shapes and sizes to relieve vaginal support abnormalities. Miltex® pessaries are uniquely designed to easily fold for comfortable insertion and removal. All Miltex® pessaries include detailed instructions for use.



Ring

The Ring pessary, available with or without a supporting membrane, is primarily used for mild first-degree uterine prolapse or a cystocele.

#	#0	#1	#2	#3	#4	#5	#6	#7	#8	#9
Size	1.75"	2.00"	2.25"	2.50"	2.75"	3.00"	3.25"	3.50"	3.75"	4.00"
with Support	30-RS0	30-RS1	30-RS2	30-RS3	30-RS4	30-RS5	30-RS6	30-RS7	30-RS8	30-RS9
w/out Support	30-R0	30-R1	30-R2	30-R3	30-R4	30-R5	30-R6	30-R7	30-R8	30-R9



Ring with Knob

The Knobbed Ring pessary, available with or without a support membrane, has the same indications as the Ring pessary and may also relieve stress urinary incontinence.

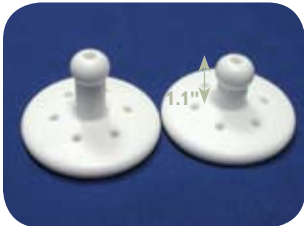
#	#0	#1	#2	#3	#4	#5	#6	#7
Size	1.75"	2.00"	2.25"	2.50"	2.75"	3.00"	3.25"	3.50"
with Support	30-RKS0	30-RKS1	30-RKS2	30-RKS3	30-RKS4	30-RKS5	30-RKS6	30-RKS7
w/out Support	30-RK0	30-RK1	30-RK2	30-RK3	30-RK4	30-RK5	30-RK6	30-RK7



Gellhorn

The Gellhorn pessary with drain feature is used to relieve the symptoms of a cystocele or rectocele as well as a second or third-degree uterine prolapse. The pessary stem with knob is easily folded for insertion and removal.

#	#0	#1	#2	#3	#4	#5	#6	#7	#8
Size	1.50"	1.75"	2.00"	2.25"	2.50"	2.75"	3.00"	3.25"	3.50"
Standard Stem	30-GD0	30-GD1	30-GD2	30-GD3	30-GD4	30-GD5	30-GD6	30-GD7	30-GD8



Gellhorn Short-Stem

The Gellhorn Short-Stem pessary with drain feature is used to relieve the symptoms of a cystocele or rectocele as well as a second or third-degree uterine prolapse. The Short-Stem may provide a better fit option for patients.

#	#0	#1	#2	#3	#4	#5	#6	#7	#8
Size	1.50"	1.75"	2.00"	2.25"	2.50"	2.75"	3.00"	3.25"	3.50"
Short Stem	30-GS0	30-GS1	30-GS2	30-GS3	30-GS4	30-GS5	30-GS6	30-GS7	30-GS8



Donut

The Donut pessary may be used to relieve the stress of a second or third-degree uterine prolapse, a cystocele or rectocele. This pessary, often used by post-menopausal women, is easily compressed for insertion and removal.

#	#0	#1	#2	#3	#4	#5	#6	#7
Size	2.00"	2.25"	2.50"	2.75"	3.00"	3.25"	3.50"	3.75"
Donut	30-D0	30-D1	30-D2	30-D3	30-D4	30-D5	30-D6	30-D7



Cube

The Cube pessary, available with or without drains, may be used to relieve the symptoms of a cystocele or rectocele as well as a second or third-degree uterine prolapse.

#	#0	#1	#2	#3	#4	#5	#6	#7	#8	#9	#10
Size	25mm	29mm	33mm	37mm	41mm	45mm	50mm	56mm	63mm	70mm	75mm
w/Drain	30-CUD0	30-CUD1	30-CUD2	30-CUD3	30-CUD4	30-CUD5	30-CUD6	30-CUD7	30-CUD8	30-CUD9	30-CUD91
w/out Drain	30-CU0	30-CU1	30-CU2	30-CU3	30-CU4	30-CU5	30-CU6	30-CU7	30-CU8	30-CU9	30-CU91

*items in **bold** represent most popular patterns



Dish

The Dish pessary, available with or without a supporting membrane, is used to relieve the stress of a second or third-degree uterine prolapse, a cystocele or rectocele. This pessary may also relieve stress urinary incontinence.

#	#0	#1	#2	#3	#4	#5	#6	#7
Size	50mm	55mm	60mm	65mm	70mm	75mm	80mm	85mm
with Support	30-DSHS0	30-DSHS1	30-DSHS2	30-DSHS3	30-DSHS4	30-DSHS5	30-DSHS6	30-DSHS7
w/out Support	30-DSH0	30-DSH1	30-DSH2	30-DSH3	30-DSH4	30-DSH5	30-DSH6	30-DSH7



Marland

The Marland pessary, available with or without a supporting membrane, is used to relieve the symptoms of a second or third-degree uterine prolapse, a cystocele or rectocele. This pessary's elevated platform may also relieve stress urinary incontinence.

#	#2	#3	#4	#5	#6	#7	#8
Size	2.25"	2.50"	2.75"	3.00"	3.25"	3.50"	3.75"
with Support	30-MS2	30-MS3	30-MS4	30-MS5	30-MS6	30-MS7	30-MS8
w/out Support	30-M2	30-M3	30-M4	30-M5	30-M6	30-M7	30-M8



Oval

The Oval pessary, available with or without a supporting membrane, is commonly used for a mild first-degree uterine prolapse or a cystocele. This pessary's shape inhibits its rotation in women with a history of vaginal surgery.

#	#1	#2	#3	#4	#5	#6	#7	#8	#9
Size	2.00"	2.25"	2.50"	2.75"	3.00"	3.25"	3.50"	3.75"	4.00"
with Support	30-OVS1	30-OVS2	30-OVS3	30-OVS4	30-OVS5	30-OVS6	30-OVS7	30-OVS8	30-OVS9
w/out Support	30-OV1	30-OV2	30-OV3	30-OV4	30-OV5	30-OV6	30-OV7	30-OV8	30-OV9



Shaatz

The Shaatz pessary may relieve the symptoms of a cystocele as well as a second or third-degree uterine prolapse. Its convex shape ensures a snug fit while the drainage holes permit easy removal.

#	#0	#1	#2	#3	#4	#5	#6	#7	#8
Size	1.50"	1.75"	2.00"	2.25"	2.50"	2.75"	3.00"	3.25"	3.50"
Shaatz	30-SH0	30-SH1	30-SH2	30-SH3	30-SH4	30-SH5	30-SH6	30-SH7	30-SH8



Gehrung

The malleable Gehrung pessary with a support membrane is primarily used for a significant cystocele or rectocele and may also provide relief for a second or third-degree uterine prolapse. This pessary can be manually shaped to accommodate individual problems and anatomies.

#	#0	#1	#2	#3	#4	#5	#6	#7	#8	#9
Size	50mm	55mm	60mm	65mm	70mm	75mm	80mm	85mm	90mm	95mm
Gehrung	30-GH0	30-GH1	30-GH2	30-GH3	30-GH4	30-GH5	30-GH6	30-GH7	30-GH8	30-GH9



Cup

The Cup pessary, available with or without a support membrane, is used for a first or a mild second-degree uterine prolapse.

#	#0	#1	#2	#3	#4	#5	#6	#7
Size	50mm	55mm	60mm	65mm	70mm	75mm	80mm	85mm
with Support	30-CPS0	30-CPS1	30-CPS2	30-CPS3	30-CPS4	30-CPS5	30-CPS6	30-CPS7
w/out Support	30-CP0	30-CP1	30-CP2	30-CP3	30-CP4	30-CP5	30-CP6	30-CP7



Hodge

The malleable Hodge pessary, available with or without a support membrane, is commonly used for a first or mild second-degree uterine prolapse and may also relieve a cystocele. These pessaries, designed to be manually shaped for individual fitting, are usually prescribed for reproductive-aged women who prefer conservative therapy.

#	#0	#1	#2	#3	#4	#5	#6	#7	#8	#9
Size	65mm	70mm	75mm	80mm	85mm	90mm	95mm	100mm	105mm	110mm
with Support	30-HDS0	30-HDS1	30-HDS2	30-HDS3	30-HDS4	30-HDS5	30-HDS6	30-HDS7	30-HDS8	30-HDS9
w/out Support	30-HD0	30-HD1	30-HD2	30-HD3	30-HD4	30-HD5	30-HD6	30-HD7	30-HD8	30-HD9



Pessary Fitting Set

Miltex offers a Fitting Set to help determine the proper style and size of pessary for each patient. Packaged in an attractive case, the set includes six popular Ring pessaries and an embossed cross-reference chart to use in selecting the appropriate pessary. One set can be used for multiple patients because these latex-free rings can be sterilized. Methods for cleaning processes are included with every Pessary Fitting Set.

REF	Description
30-FS1000	Pessary Fitting Set



Pessary Remover

Miltex offers a stainless steel Pessary Remover for easy removal of any pessary. If the pessary is difficult to remove by hand, simply insert the remover and hook the pessary for easy removal.

REF	Description
30-900	Pessary Remover

Pessary Selection Chart

In order to offer the female patient the best fit for her needs, Miltex offers an easy guide to pessary selection. This pessary selection chart can help guide physicians to the proper pessary to fit their patients. Some pessaries are designed to better treat second or third degree prolapse as others are designed to relieve stress incontinence. The following chart signifies the condition the pessaries are designed for: first degree prolapse, second degree prolapse, third degree prolapse, cystocele, rectocele, stress incontinence, retro displacement and incompetent cervix. This chart is only a suggested guide for the physicians; most importantly the patient and the physician can determine the best fit and pattern for successful treatment.

	Pessary	Prolapse (1-2 Degree) (2-3 Degree)		Cystocele	Rectocele	Stress Incontinence	Retro Displacement	Incompetent Cervix
	Cube		X	X	X			
	Cup	X		X		X	X	X
	Dish	X	X	X		X		
	Donut		X	X	X			
	Gellhorn		X	X	X			
	Gellhorn (Short Stem)		X	X	X			
	Gehrung		X	X	X			
	Hodge	X		X		X	X	X
	Marland		X	X				
	Oval	X		X				
	Ring	X		X				
	Ring w/ Knob	X	X	X		X		
	Shaatz		X	X				

HCPCS Code for Pessary.....A4562
 Code for the Office Visit.....99214
 CPT Procedure Code for Fitting & Insertion 57160

Standard



Schroeder



Braun

Atraumatic



Schroeder
30-966ATR



Braun
30-965ATR

Atraumatic Tenaculum Forceps Schroeder & Braun

Traditional patterns of Tenaculum Forceps have overlapping tips that can cause trauma and bleeding when used to firmly grip the cervix, uterus and when used in other general tissue applications. The Miltex® Atraumatic Tenaculum Forceps are designed with non-overlapping tips, even when closed with the ring handle ratchet fully engaged. The tip design ensures a firm and reliable grip on tissue, but minimizes patient bleeding and discomfort. A “must have” instrument to complement your procedural sets for Colposcopy, Endometrial Biopsy and other commonly performed Gynecological procedures.

REF	Brand	Description
30-965ATR	Miltex®	Braun Tenaculum Forceps, 10" (25.4 cm), straight/squared jaw, with non-overlapping atraumatic tips
30-966ATR	Miltex®	Schroeder Tenaculum Forceps, 10" (25.4 cm), rounded jaw, with non-overlapping atraumatic tips
MH30-965ATR	MeisterHand®	Braun Tenaculum Forceps, 10" (25.4 cm), straight/squared jaw, with non-overlapping atraumatic tips
MH30-966ATR	MeisterHand®	Schroeder Tenaculum Forceps, 10" (25.4 cm), rounded jaw, with non-overlapping atraumatic tips



30-966ATR



Graduated in centimeters
SIMS
30-650SS



Graduated in inches
SIMPSON
30-655SS

SIMS & SIMPSON Uterine Sounds Malleable Stainless Steel

Miltex offers German-crafted SIMS and SIMPSON Uterine Sounds manufactured from malleable and fully autoclavable stainless steel. The bendable stainless steel uterine sounds offer clinicians a reliable, quality instrument for both routine office-based procedures or for use in the operating room. The unique stainless steel design is a helpful alternative to traditional patterns manufactured with silver or chrome plating which may often contribute to tarnishing and/or stain deposit transfer during autoclaving and cleaning processes. The Miltex® flexible stainless steel uterine dilators reduce time separating and processing dissimilar metal instruments and eliminates scrubbing off instrument stains.

REF	Description	Length
30-650SS	SIMS Uterine Sound	13" (33 cm), 4mm OD, graduated in cm, malleable, Stainless Steel
30-655SS	SIMPSON Uterine Sound	13" (33 cm), 4mm OD, graduated in inches, malleable, Stainless Steel



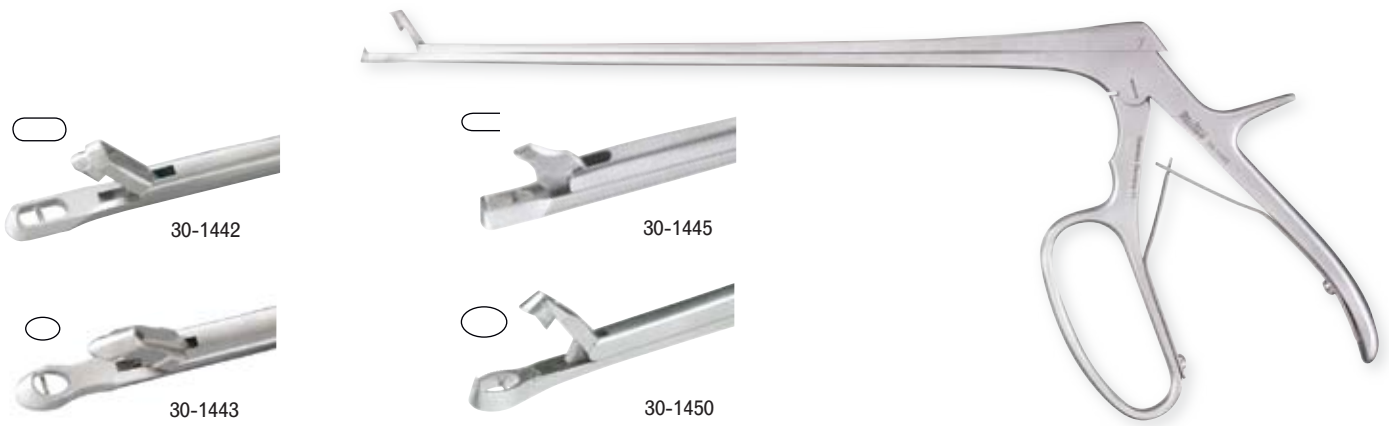
SIMS
30-650SS

SIMPSON
30-655SS

Cervical Biopsy Punch Forceps

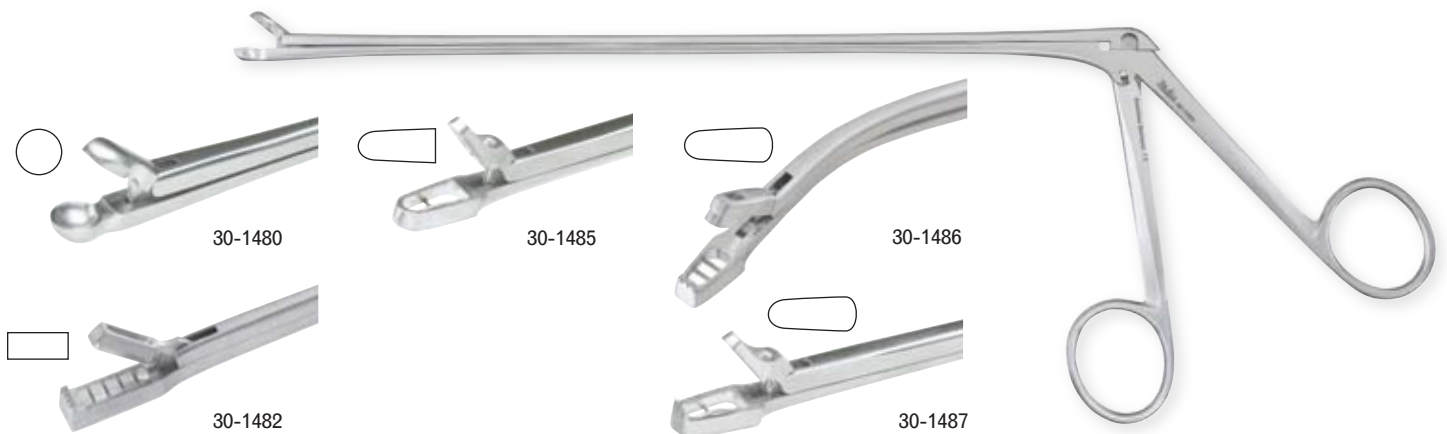
Miltex offers an extensive selection of finely crafted Cervical and Uterine Biopsy Punch Forceps which consistently provide a sharp cut and artifact free biopsy. These instruments are guaranteed to be as durable as they are exact in the results they provide for patient evaluation. Miltex® German crafted Gyn Biopsy Punch Forceps exceed standards for providing exceptional trouble-free performance and reliable clinical results.

REF	Description
30-1442	TISCHLER Cervical Biopsy Punch Forceps, 9-3/4" (24.8 cm) shaft, oblong 7 X 3 X 1.5 mm bite
30-1443	BURKE (Modified Baby TISCHLER) Cervical Biopsy Punch Forceps, 7-3/4" (19.7 cm) shaft, oval 4.5 X 3 X 1.5 mm bite
30-1445	TOWNSEND Mini-Bite Cervical Biopsy Punch Forceps, 7-1/2" (19.1 cm) shaft, 4.2 X 2.3 X 1 mm bite, w/lock
30-1450	BAGGISH Cervical Biopsy Punch Forceps, 8-1/4" (21 cm), oval 6 x 4 x 1.5 mm bite, w/lock



Uterine Biopsy Punch Forceps

REF	Description
30-1480	MILTEX Uterine Biopsy Forceps, 9" (22.9 cm) shaft, round cup jaw, 6 mm bite
30-1482	KEVORKIAN-YOUNGE Uterine Biopsy Forceps, 9-1/2" (24.1 cm) shaft, rectangular 3.5 x 8 mm bite, teeth on lower jaw
30-1485	EPPENDORFER Uterine Biopsy Forceps, 8-1/2" (21.6 cm) shaft, 4 x 4.5 x 8 mm bite
30-1486	WITTNER Uterine Biopsy Forceps, 8-1/2" (21.6 cm) shaft, 3 x 4.5 x 8 mm bite with teeth on lower jaw, angled tip
30-1487	WITTNER Uterine Biopsy Forceps, 8-1/2" (21.6 cm) shaft, 3 x 4.5 x 8 mm bite with teeth on lower jaw, straight tip



Miltex® Instruments

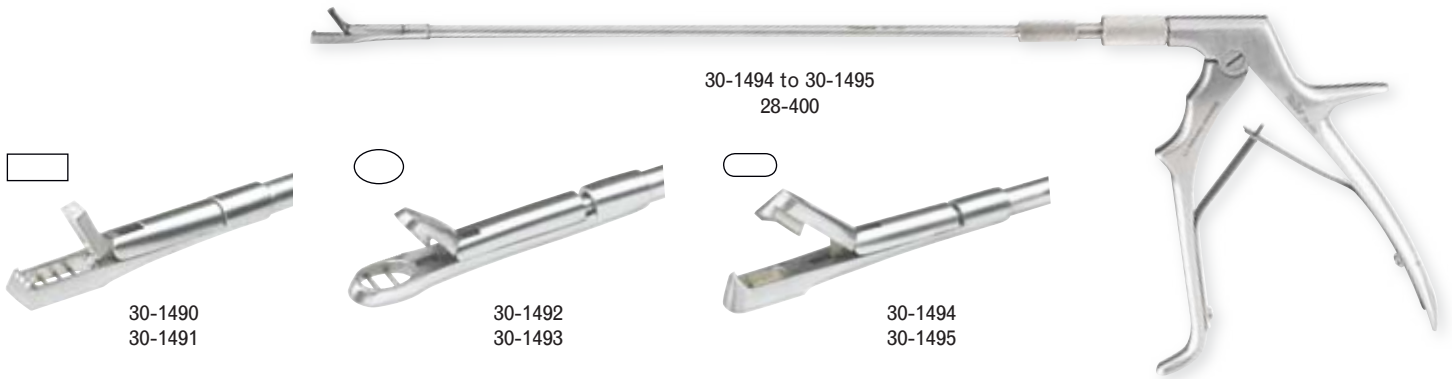
The Miltex® brand is recognized as a Premium Grade and expertly manufactured German Instrument.

Rotating Shaft Uterine Biopsy Forceps

9" (22.9 cm) shafts are interchangeable on Pistol Grip Spring Handles.

The Miltex® two piece fully-rotational forceps permit improved site visualization for the clinician and unimpaired access to the target tissue. Interchangeable shafts with different jaw sizes and bite patterns are available to ensure that an appropriate amount of tissue is collected while minimizing patient discomfort.

REF	Description
30-1490	KEVORKIAN-YOUNGE Biopsy Forceps, rectangular 3.5 x 8 mm bite, teeth on lower jaw, complete with pistol grip handle
30-1491	KEVORKIAN-YOUNGE Biopsy Forceps, shaft only
30-1492	EPPENDORFER-KRAUSE Biopsy Forceps, oval 4.5 x 6.5 mm bite, complete with pistol grip handle
30-1493	EPPENDORFER-KRAUSE Biopsy Forceps, shaft only
30-1494	TISCHLER Biopsy Forceps, oblong 7 x 3 x 1.5 mm bite, complete with pistol grip handle
30-1495	TISCHLER Biopsy Forceps, shaft only
28-400	Pistol Grip Spring Handle for MILTEX Uterine Biopsy Forceps 30-1490 to 30-1495

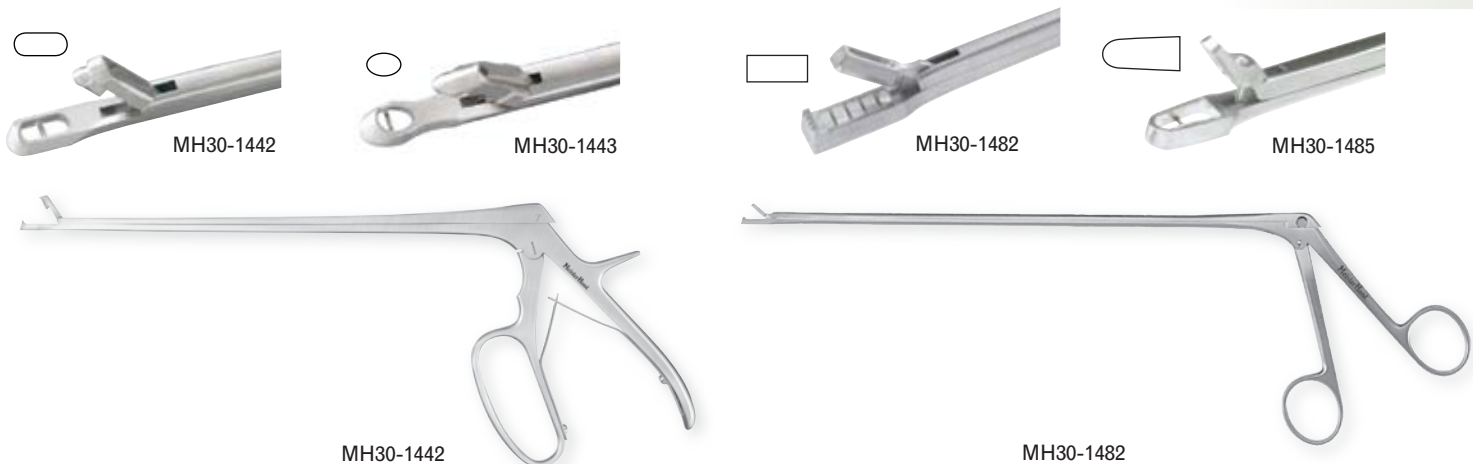


MeisterHand® Cervical & Uterine Biopsy Punch Forceps

REF	Description
MH30-1442	TISCHLER Cervical Biopsy Punch Forceps, 8" (20.3 cm) shaft, 7 x 3 x 1.5 mm bite
MH30-1443	BURKE (Modified Baby TISCHLER) Cervical Biopsy Punch Forceps, 7-3/4" (19.7 cm) shaft, 4.5x 3 x 1.5 mm bite
MH30-1482	KEVORKIAN-YOUNGE Uterine Biopsy Forceps, 9-1/2" (24.1 cm) shaft, 3.5 x 8 mm bite, teeth on lower jaw
MH30-1485	EPPENDORFER Uterine Biopsy Forceps, 8-1/2" (21.6 cm) shaft

MeisterHand® Instruments

Expertly crafted from surgical grade stainless steel German forgings and of the very highest Operating Room quality standards and specifications. This new instrument line is advantageously priced while offering greater quality and value compared to instruments from any other source.



Silicone Vaginal Dilator Sets



REF	Size
30-3001	Large Set*
30-3002	Medium Set*
30-3003	Small Set*

*Each set includes four sizes, see chart below

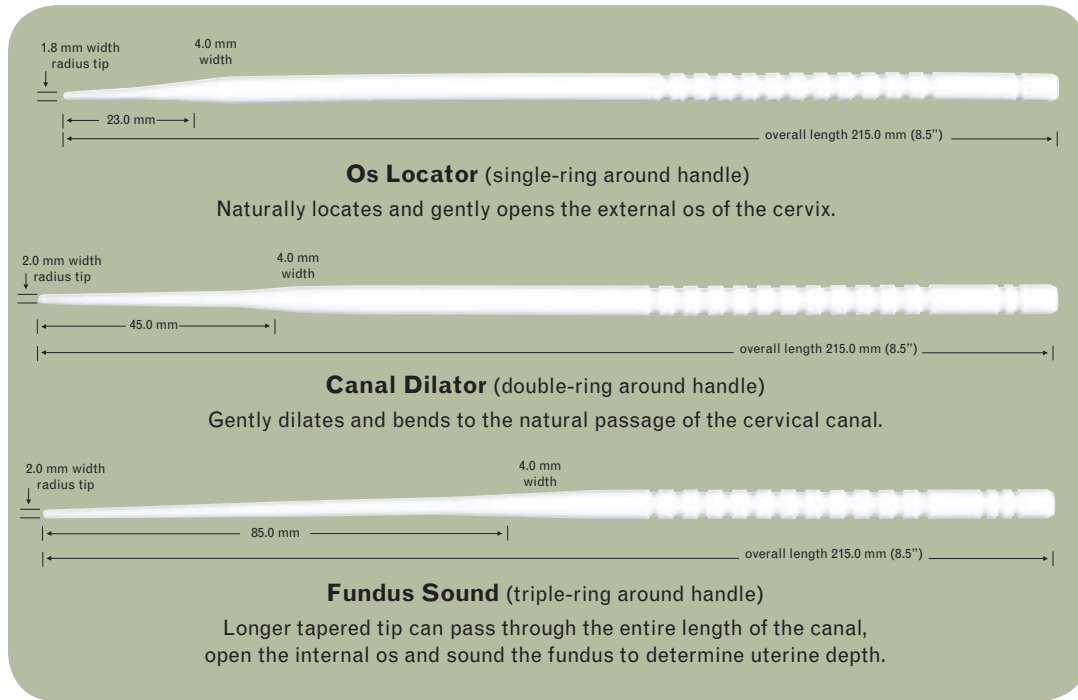
Miltex® Vaginal Dilators are used to enlarge the vagina for examination, surgical procedure or for relief of vaginismus (painful spasm of the vagina due to involuntary contraction of the vaginal musculature). Each set includes four sizes of dilators in which the patient can begin the therapy with the smallest dilator and progress to the largest dilator in the set for optimal treatment. The silicone, latex-free and pliable dilators are comfortable and easy to use for the female patient.

Detailed physician instructions as well as patient information for self-care are included with each vaginal dilator set and are available online at www.miltex.com.

Large Set	Length	Small OD	Large OD
30-3001/XL	150.0mm	30.0mm	38.0mm
30-3001/L	138.0mm	25.5mm	32.0mm
30-3001/M	128.0mm	22.5mm	28.0mm
30-3001/S	120.0mm	19.5mm	24.0mm
Medium Set	Length	Small OD	Large OD
30-3002/XL	95.0mm	26.0mm	33.0mm
30-3002/L	86.0mm	22.5mm	28.0mm
30-3002/M	78.0mm	19.5mm	23.0mm
30-3002/S	75.0mm	12.5mm	17.0mm
Small Set	Length	Small OD	Large OD
30-3003/XL	75.0mm	13.5mm	18.0mm
30-3003/L	65.0mm	12.0mm	16.0mm
30-3003/M	60.0mm	10.5mm	14.0mm
30-3003/S	50.0mm	9.5mm	13.0mm

Not available individually, sold only in sets

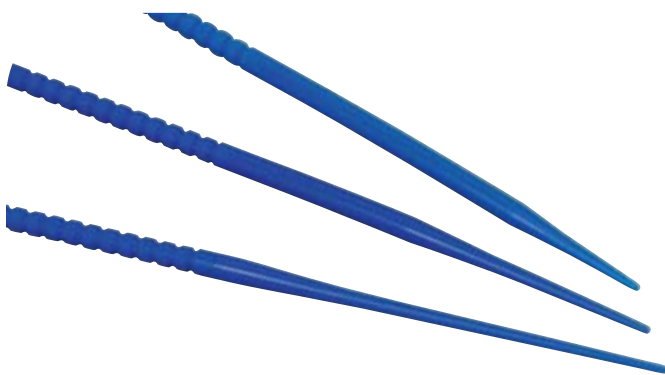
Reusable Os Cervical Dilator Set



REF	Description
30-3000	Os Cervical Dilator Set contains one of each: Os Locator Canal Dilator Fundus Sound

Three convenient patterns provided within one reusable, latex-free and autoclavable set. Gradual tapered tips made from flexible and reusable PTFE material ensure smooth dilation of the cervix and are ideal for coaxing and opening a stenotic cervix during treatment of post menopausal patients. Excellent for cervical dilation prior to curette introduction for endometrial sampling, hysteroscopic and other related gynecological procedures.

Disposable Os Locator, Canal Dilator & Fundus Sound



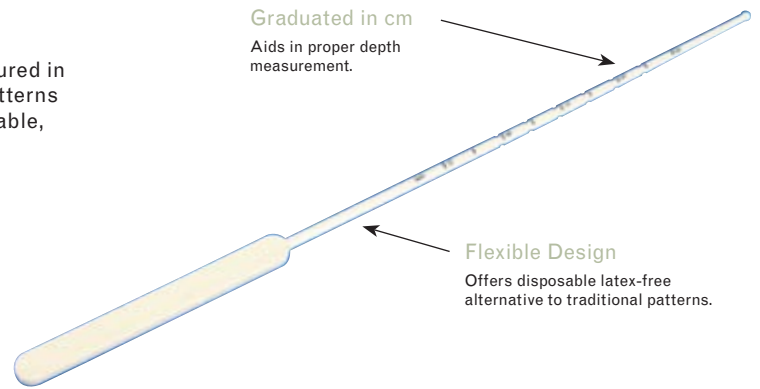
Three convenient patterns are also available in disposable, latex-free patterns. The Os Locator is used to locate the external Os, the Canal Dilator is designed to dilate the cervical canal and the Fundus Sound assists with determining uterine depth. Each pattern is packaged individually for specific usage and in quantities of 25 per box. All patterns are disposable, latex-free, sterile and ready to use with a 3-year shelf life.

REF	Description
30-5001	Os Locator (25/Box), sterile
30-5002	Canal Dilator (25/Box), sterile
30-5003	Fundus Sound (25/Box), sterile

Uterine Sound

Miltex® disposable Uterine Sounds are flexible, sterile and are measured in metric units. The soft design is a helpful alternative to traditional patterns manufactured with stainless steel, silver or chrome plating. Disposable, latex-free, packaged in boxes of 25, sterile, 3-year shelf life.

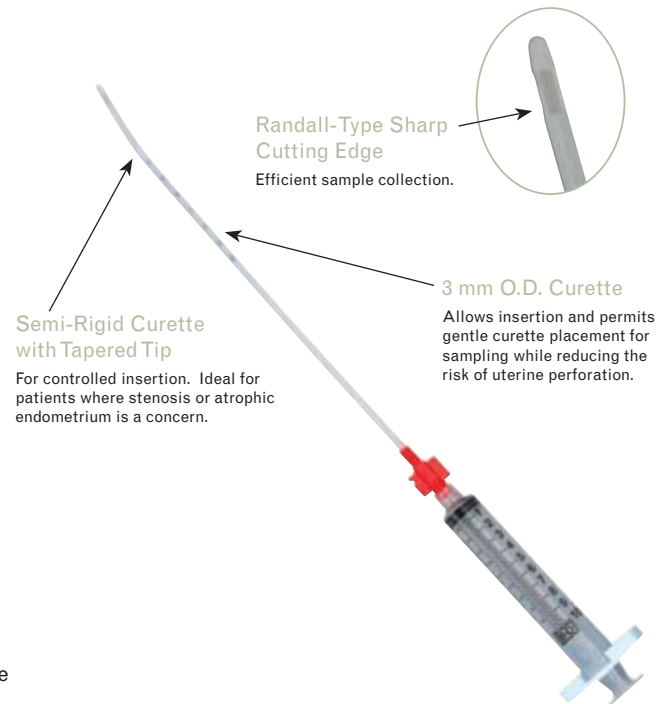
REF	Description
30-6000	Uterine Sound (25/Box), sterile



Endometrial Sampling Set

The Miltex® Endometrial Sampling Set is cost effective and accurate for screening the endometrium and is ideal for efficient sampling for both pre- and post-menopausal patients. The Miltex® Endometrial Sampling Set affords reduced physical discomfort often associated with endometrial tissue collection. This set includes one each of Curette and Luer Lock Syringes (10 ml standard Twist-and-Lock Syringe). Curette working length is 8-1/8" (20.64 cm). Disposable, latex-free, packaged in sets of 10, sterile, 3-year shelf life.

REF	Description
30-3015	Endometrial Sampling Set (Includes Disposable Curette with a Twist-and-Lock Syringe) sterile, single-use, box of 10



Endometrial Biopsy Cannula

Endometrial sampling is the most widely used screening technique of the female patient population for a number of indications. The Miltex® SoftFlex™ and FirmFlex™ Endometrial Biopsy Cannula are ideal for accurate and economical in-office specimen collection of endometrial tissue.

TWO STYLES

SoftFlex™

- For standard/routine sampling
- When a more flexible cannula is desired

FirmFlex™

- For sampling when stenosis or atrophic endometrium is a concern
- For post menopausal women where stenosis of the cervix is a concern
- When a more rigid cannula is needed for controlled insertion

Cannula and inner sleeve design generate sufficient vacuum for maximum sample yield without the need for external suction device. Length of 23.5 cm allows for insertion depth to accommodate a range of patients. Disposable, latex-free, packaged in boxes of 25, sterile, 3-year shelf life.

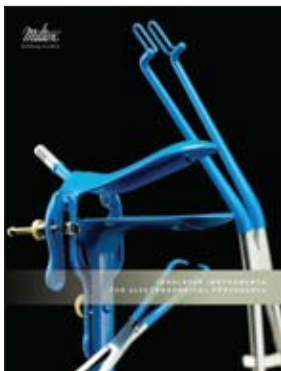
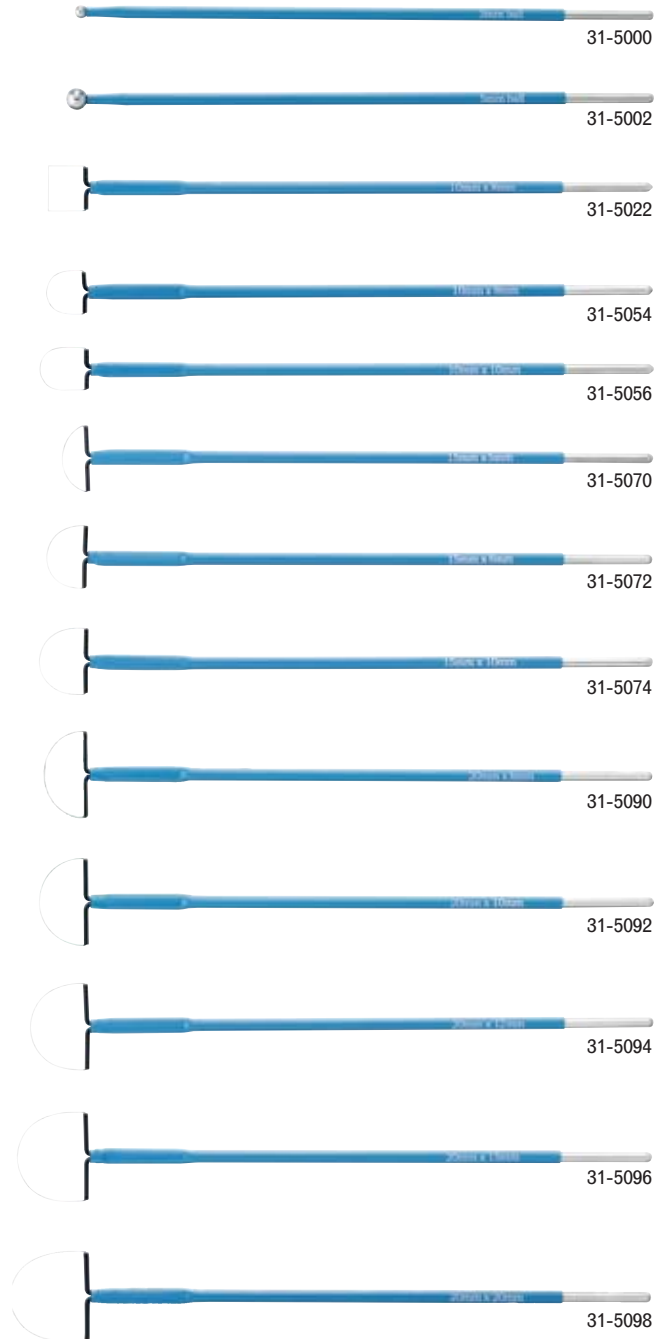
REF	Description
30-3010	SoftFlex™ Endometrial Biopsy Cannula, sterile, single-use, box of 25
30-3012	FirmFlex™ Endometrial Biopsy Cannula, sterile, single-use, box of 25



Miltex® Disposable Electrodes

- Range of most popular patterns and sizes
- Loop and Square working ends manufactured with tungsten wire to maintain shape throughout procedure
- 5.1" (13 cm) shaft
- 3/32" (2.4 mm) stainless steel connector shaft fits most standard electrosurgical pencils and generators
- Each Loop and Electrode individually packaged and sterilized in peel pouch
- Disposable, one-time use only
- Sterile, 5-year shelf life
- Packaged 5 per box

REF	Description*
31-5000	Ball (3mm Diameter)
31-5002	Ball (5mm Diameter)
31-5022	Square (10mm width x 8mm depth)
31-5054	Loop (10mm width x 8mm depth)
31-5056	Loop (10mm width x 10mm depth)
31-5070	Loop (15mm width x 5mm depth)
31-5072	Loop (15mm width x 8mm depth)
31-5074	Loop (15mm width x 10mm depth)
31-5090	Loop (20mm width x 8mm depth)
31-5092	Loop (20mm width x 10mm depth)
31-5094	Loop (20mm width x 12mm depth)
31-5096	Loop (20mm width x 15mm depth)
31-5098	Loop (20mm width x 20mm depth)



Contact Miltex Customer Service for more information and a Brochure of our Insulated Stainless Steel Instruments for Electrosurgical Procedures

Miltex® BiopBlade™, Sterile

- Ideal for skin/tissue saucerization and shave biopsy
- Used in dermatology, podiatry, family practice and plastic surgery
- Incorporates a super sharp blade with rear Finger Guard
- Flexible design allows the blade to be positioned at any angle for the intended procedure
- Disposable, one-time use only
- Sterile, 5-year shelf life



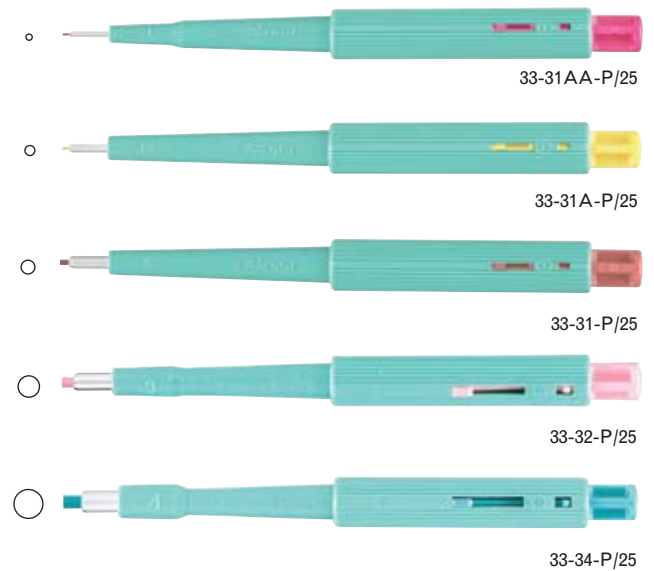
33-100

REF	U/M
33-100	Bx/50

Biopsy Punch with Plunger System

Miltex offers a disposable Biopsy Punch with Plunger for effortless ejection of lodged specimens. Available in boxes of 25. Color-coded by size (5 sizes available). Sterile, 5-year shelf life.

REF	Size
33-31AA-P/25	1.0mm w/plunger
33-31A-P/25	1.5mm w/plunger
33-31-P/25	2.0mm w/plunger
33-32-P/25	3.0mm w/plunger
33-34-P/25	4.0mm w/plunger



33-31AA-P/25

33-31A-P/25

33-31-P/25

33-32-P/25

33-34-P/25

Biopsy Punch, Standard

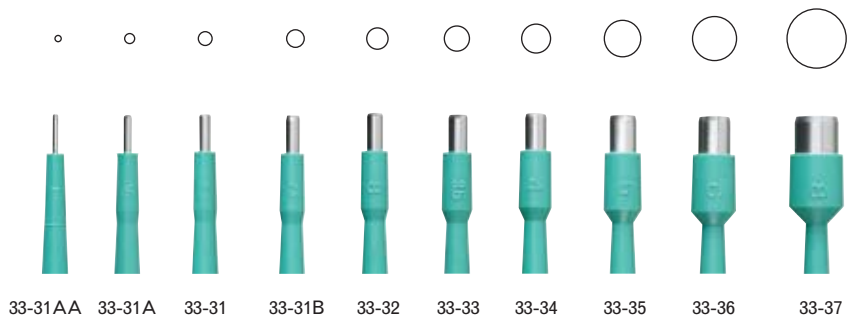
Miltex offers disposable standard Biopsy Punch. Available in boxes of 50. Assortment box contains 10 each of the following: 2mm, 3mm, 4mm, 5mm, 6mm. Sterile, 5-year shelf life.

REF	Size
33-31AA	1.0mm
33-31A	1.5mm
33-31	2.0mm
33-31B	2.5mm
33-32	3.0mm
33-33	3.5mm
33-34	4.0mm
33-35	5.0mm
33-36	6.0mm
33-37	8.0mm
33-38	Assorted sizes*

* 10 each of 2mm, 3mm, 4mm, 5mm and 6mm.



33-31AA



33-31AA 33-31A 33-31 33-31B 33-32 33-33 33-34 33-35 33-36 33-37