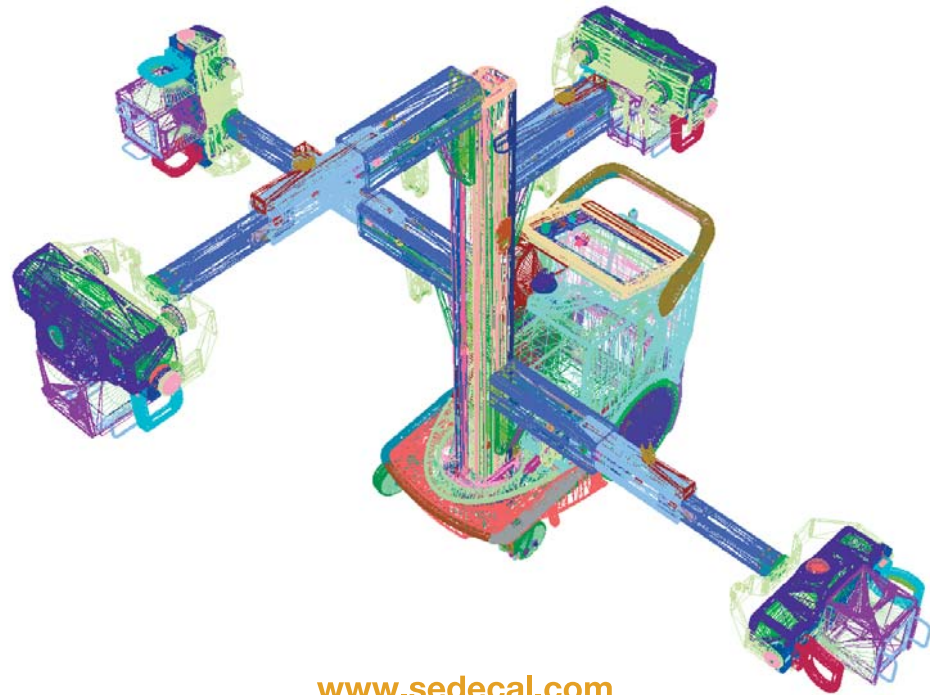


Mobile X-Ray Unit

Mobile X-Ray Unit



www.sedecal.com

EASY MOVING_eng_Rev1.0_02-08



Easy Moving Plus B

SEDECAL

C/ Pelaya, 13 - Polígono Industrial "Río de Janeiro"
28110 - Algete (Madrid-SPAIN)

Central Offices:
Tel.: (34) 91 - 628 0544 / 91 - 628 1592
Fax: (34) 91 - 628 0574
Email: marketing@sedecal.com

Factory:
Tel.: (34) 91 - 629 0721
Fax: (34) 91 - 629 0783
Email: manufacturing@sedecal.com



Your OEM partner

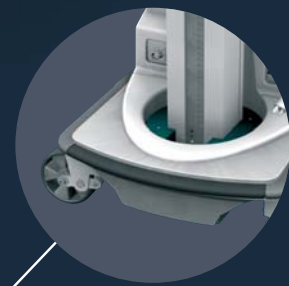


Your OEM partner

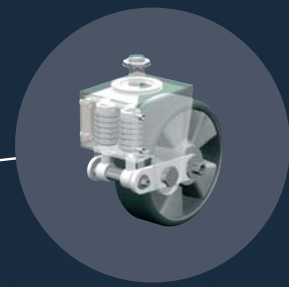


Easy Moving Plus is a mobile X-ray unit that covers, with a wide range of models, all the specific needs for any radiographic examination at the patient's bed, first aid and emergency, orthopaedics, paediatric, and operating theatre.

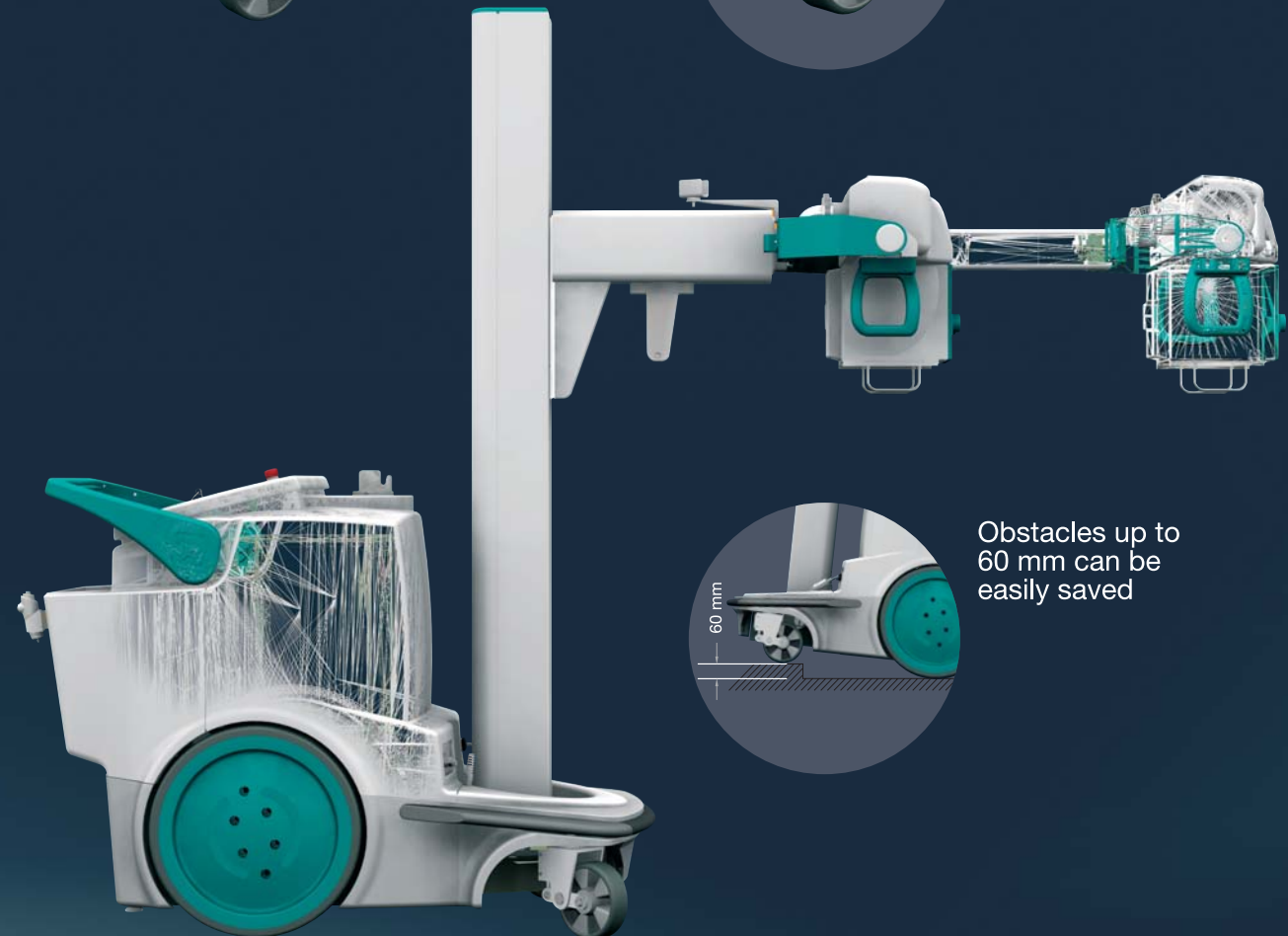
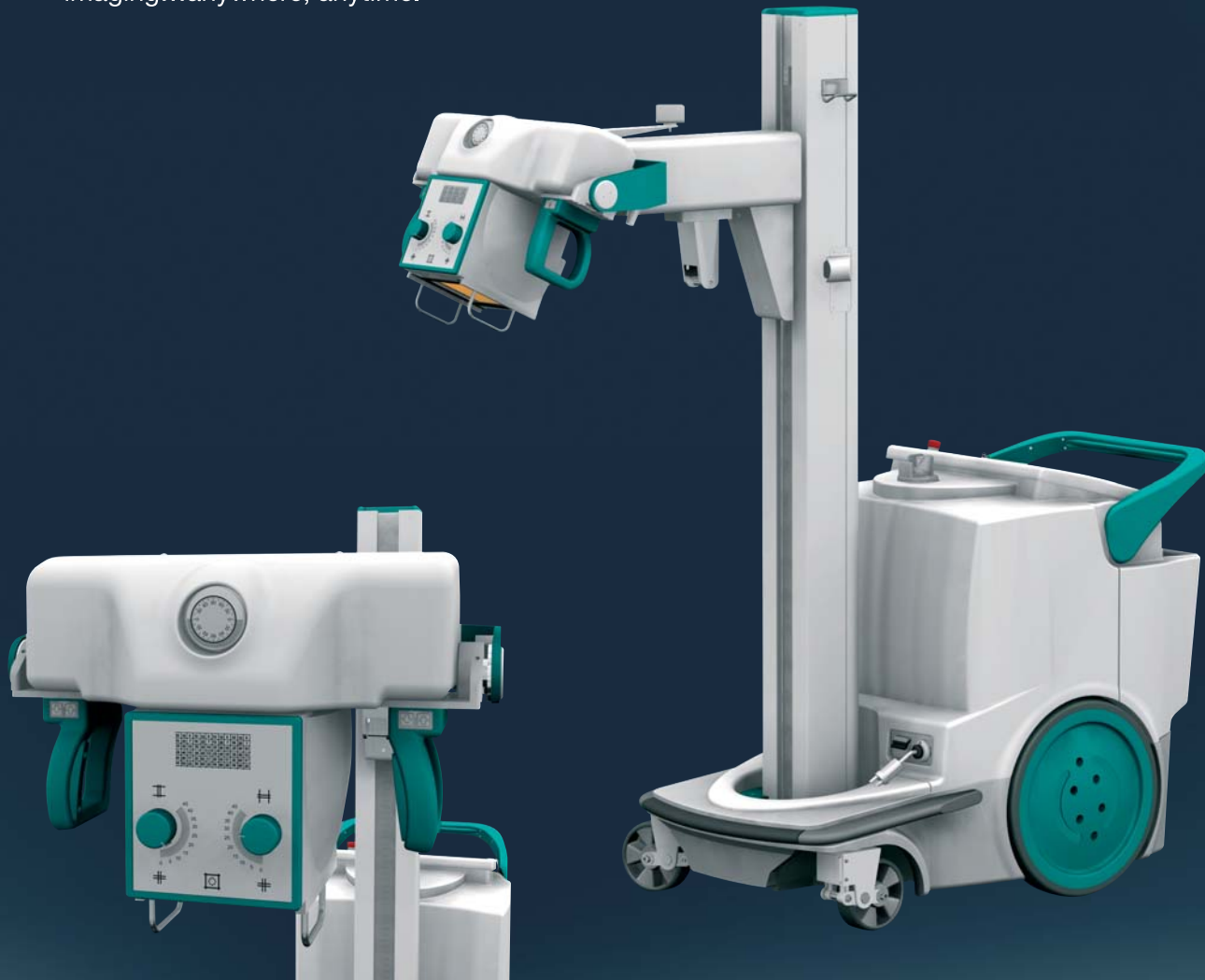
The cordless Easy Moving "B" serie (battery powered version) combines the "stand-alone" feature for exposures with battery-assisted motor-drive for the greatest ease in imaging...anywhere, anytime.



Anticollision system
When the sensor on the front bumper senses any slight pressure the Mobile X-ray Unit stops automatically

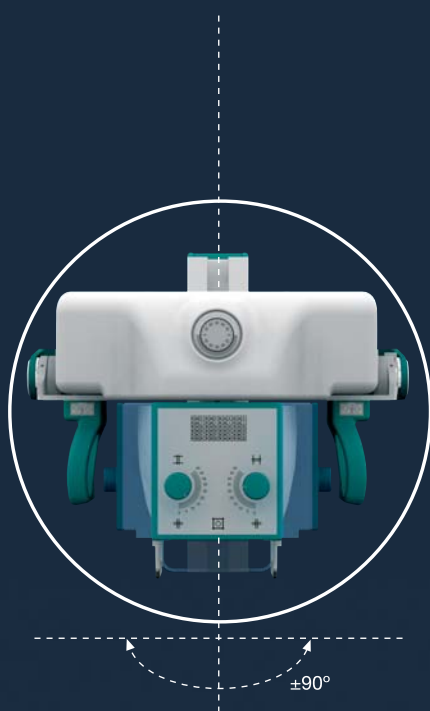


Spring loaded wheels absorbs shock vibrations



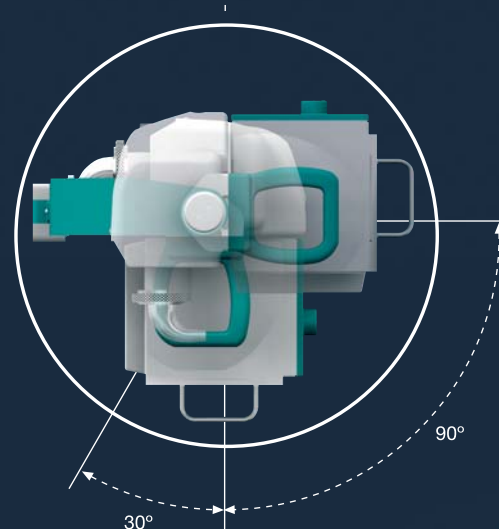
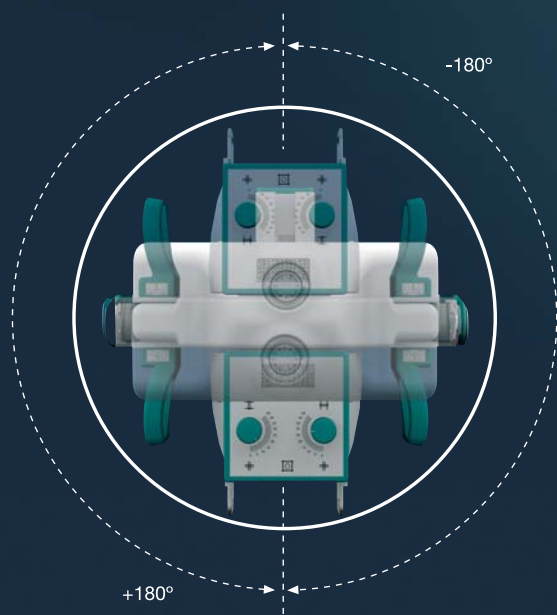
Obstacles up to 60 mm can be easily saved

Collimator rotation



X-ray Tube rotation

The counterbalance system enables accurate positioning with smooth operation.



Focal to Film Distance Reading

A retractable tape meter, located into the collimator's housing, allows a fast and easy readings of the FFD set.



Easy to read display of X-ray process status in large letters, with user friendly operation panel

In addition to the three-points & two points technique (one point technique also available via A.E.C.), Easy Moving is Equipped with anatomical programs that can be customized by the user, for a total of 492 combinations of radiographic parameters can be preset for various applications.

Anatomical Programs

In addition to the two-points technique (one-point technique also available via A.E.C.), Easy Moving is equipped with anatomic programs that can be customized by the user, for a total of 492 different types of exam.

X-ray imaging conditions can be set by simply choosing a target region, image view and body thickness.

- 6 REGIONS
- 7 VIEWS
- 6 TYPES OF THICKNESS
(Small, Medium and Large sizes for both Paediatric and Adult Patients)

An intuitive control panel with a large LCD display provides absolute user friendliness and operational efficiency.



Maximum mA Value



Maximum tube voltage



Maximum mAs Value



Standard operator console

High frequency generator enables high-quality images

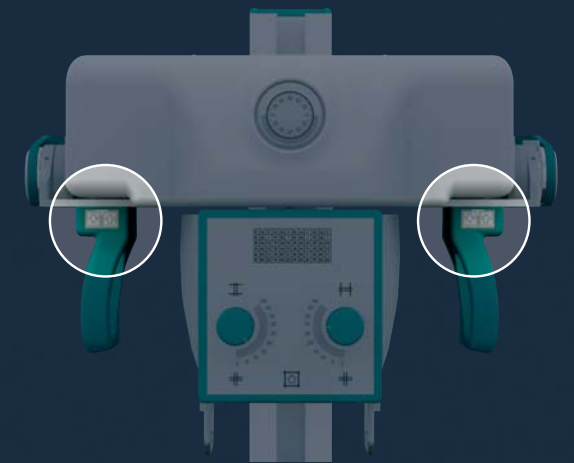
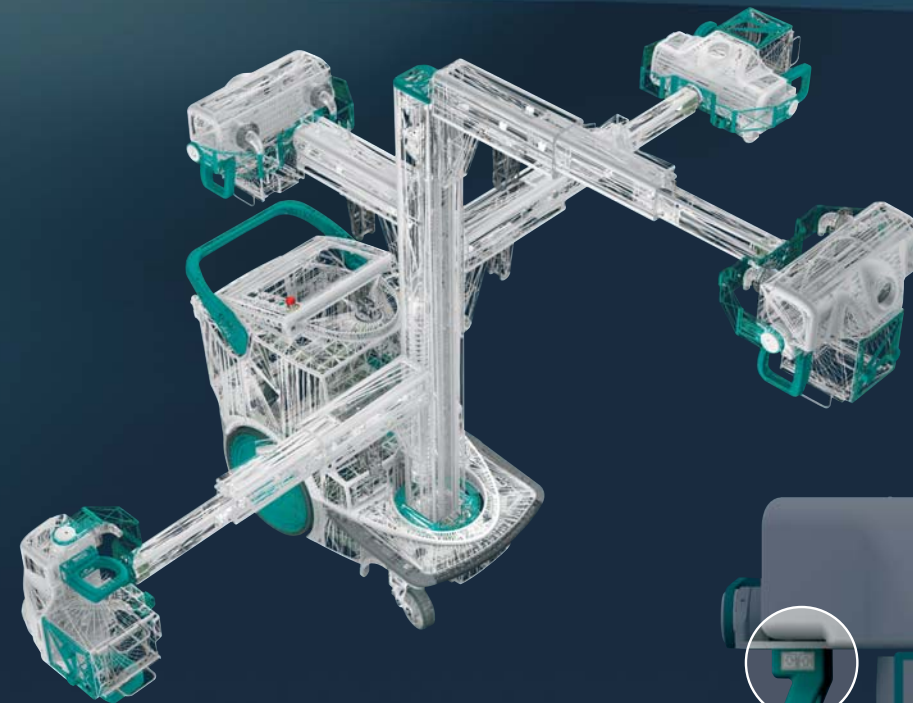
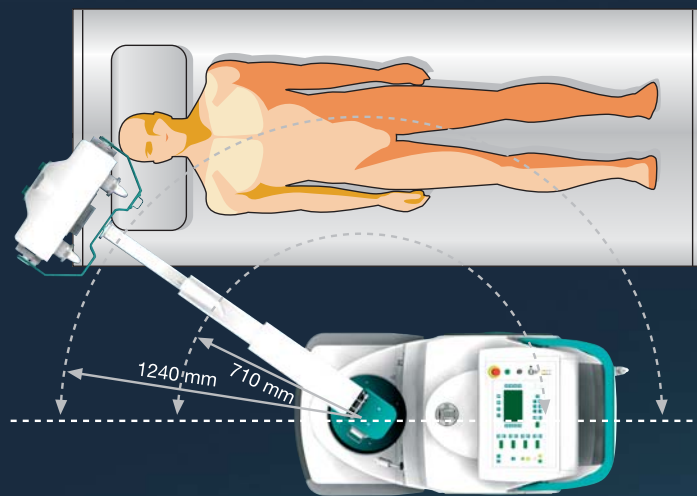
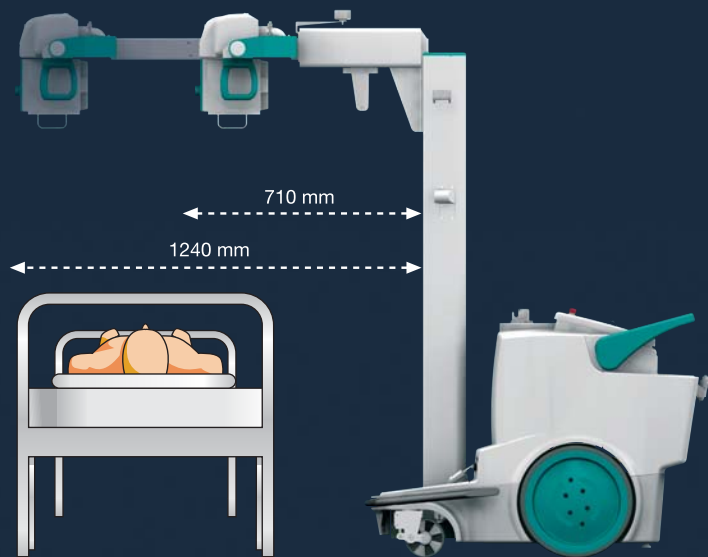
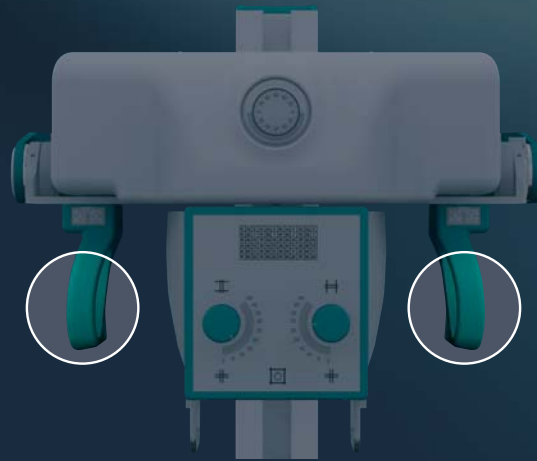
The Easy Moving Plus generates low ripple, stable X-rays for fast and highly accurate radiography.

This means the Easy Moving Plus can capture high quality images with a constant and stable density at X-ray outputs up to 500 mAs.

The high radiographic output, up to 50 kW enables short exposure times (down to 1 ms), eliminating the motion blurring which would otherwise commonly occur when imaging the chest of infants and neonates.

All Free Buttons

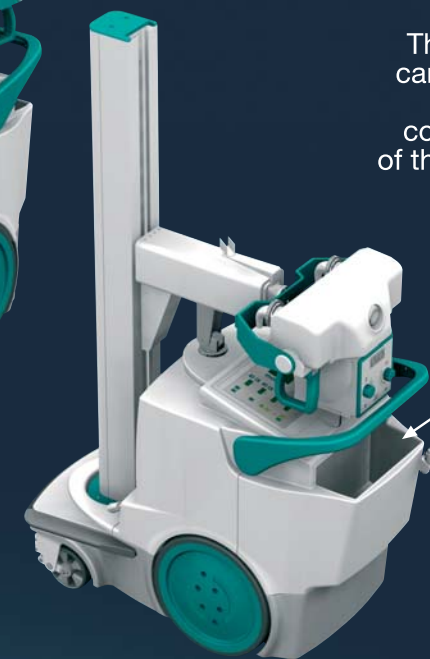
Pressing any of the "All Free" buttons releases the electromagnetic locks for arm rotation, arm extension, and vertical movement of the X-ray tube, thus allowing positioning to be done in one simple step.



Precise Positioning Buttons

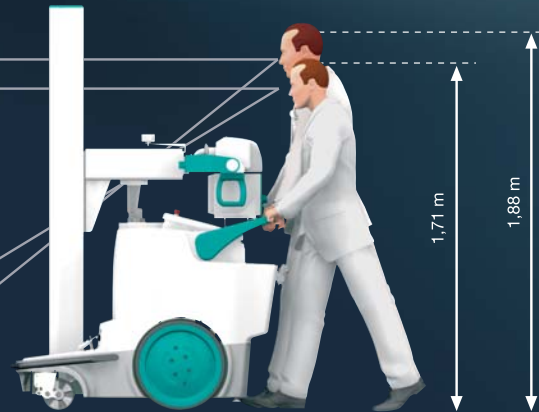
The SEDECAL mobile X-Ray Unit can be slightly moved forward or backward by pressing the drive controls located in the upper side of the handles. X-ray exposures are inhibited during movement.

Parking Position



A wide compartment gives the possibility to accommodate comfortably up to 10 radiographic cassettes.

▶▶▶
Driving visibility and safety are maximized and the cumbersome inconveniencies associated with bulky handling are eliminated.

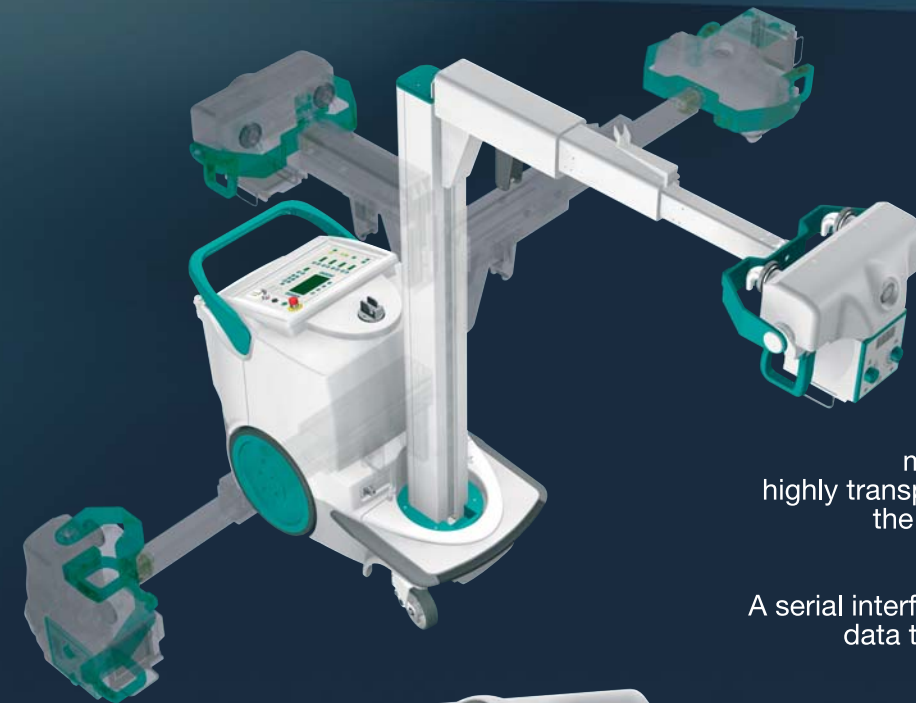
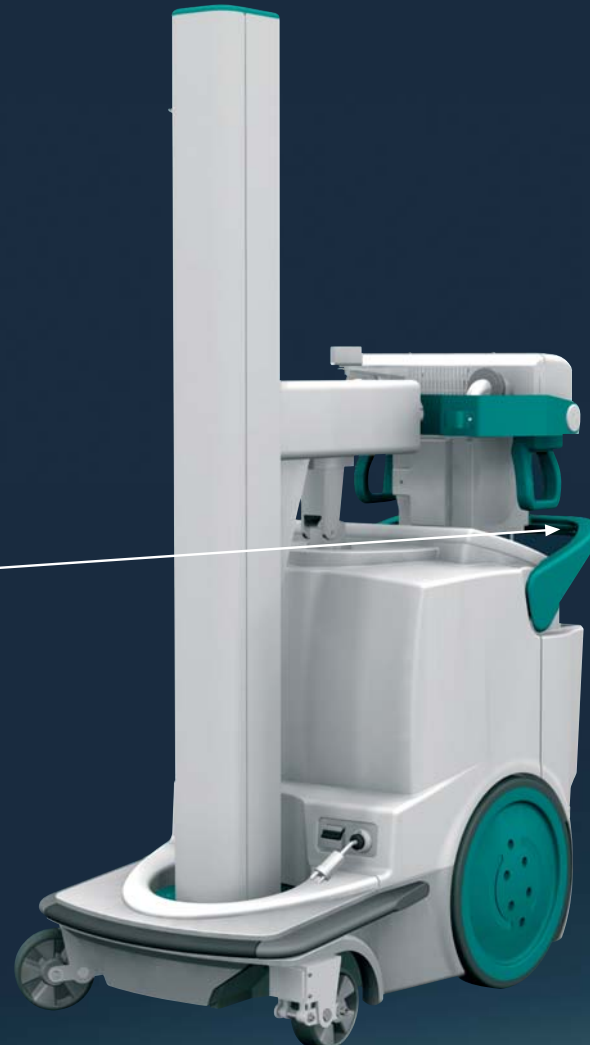


Dead ManSwitch

MOVING



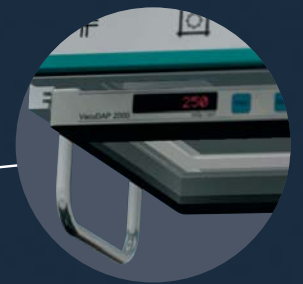
STOP



The VacuDAP 2000 device determines the Dose Area Product (DAP) in a radiological examinations. The rectangular standard measuring chambers are highly transparent and do not affect the functionality of the light beam diaphragm.

A serial interface (RS-232) allows the data transfer to printer or PC.

Dose Area meter VacuDAP 2000



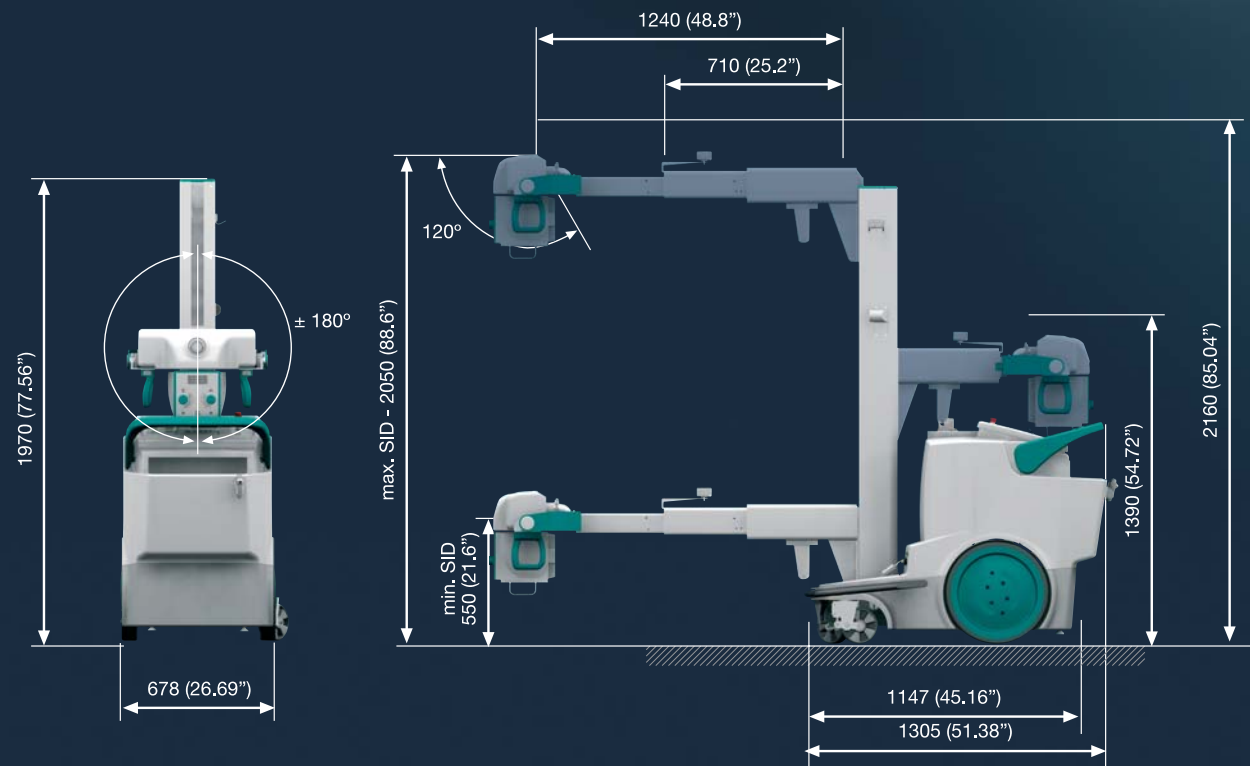
Infrared Remote Controller

The X-ray exposure can be made remotely to minimize the operator's exposure to scatter radiation.

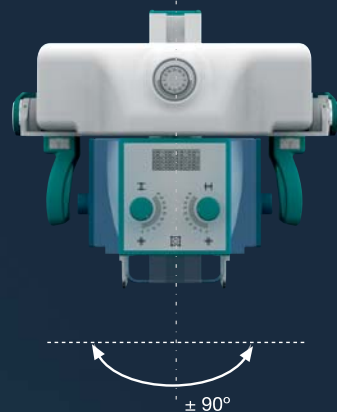


This ergonomically shaped ion Chamber makes it easy to automate X-ray exposures in hospital rooms.

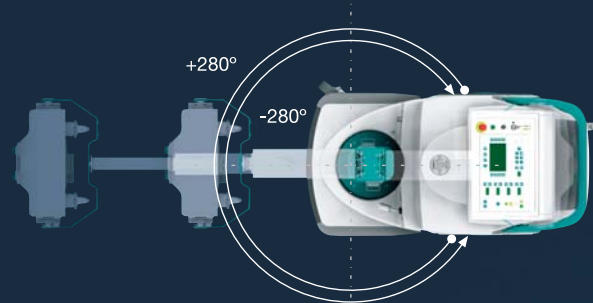
Mobile Ionization Chamber for AEC



COLLIMATOR ROTATION RANGE



COLUMN ROTATION RANGE



Battery Powered X-ray Generator

Model	SM-20HF-B	SM-32HF-B	SM-40HF-B	SM-50HF-B
Constant Potencial kW ratings	20	32	40	50
KVp Range in 1 kVp steps (*)Optional	40 to 125/150(*)	40 to 150	40 to 150	40 to 150
Accuracy	±(3% +1kVp)	±(3%+1kVp)	±(3% +1kVp)	±(3%+1kVp)
mA Range	10 - 320	10 - 500	10 - 500	10 - 500
Number of Stations	16	18	18	18
Accuracy	±(4%+1mA)	±(4%+1mA)	±(4%+1mA)	±(4%+1mA)
Exposure time range	0.001 – 10 sec.	0.001 – 10 sec.	0.001 – 10 sec.	0.001 – 10 sec.
Accuracy	±(2% +0.1ms)	±(2% +0.1ms)	±(2% +0.1ms)	±(2% +0.1ms)
mAs range	0.1 – 500 mAs	0.1 – 500 mAs	0.1 – 500 mAs	0.1 – 500 mAs
Operation independent from mains supply	Standard	Standard	Standard	Standard
Batteries Capacity at full charge (maximum charge time 10 hours)	Up to 200 exposures of 160 mAs (i.e 70 kVp, 320 mA, 0.5 sec) Storage Capacity: 80,000 mAs @ 100 KVp			
Collimator	Manual with electronic timer and meter			
Anatomical programmer	492 views	492 views	492 views	492 views
Automatic exposure control	Optional	Optional	Optional	Optional
Conection for bucky	Optional	Optional	Optional	Optional
Remote wireless hand-switch	Optional	Optional	Optional	Optional
Line voltage range and phases	Single-Phase Line Automatic Regulation from 100 - 240 Vac (+/-10%)			
X-Ray Tube (rotating Anode)	Low speed	Low speed	Low speed	Low speed
Focal spots	0.3 / 1.0	0.3 / 1.0	0.6 / 1.2	0.6 / 1.2
KHU / kVp	140 / 150	140 / 150	150 / 150	150 / 150
Target angle	12°	12°	12°	12°
Optional tube				
Focal spots	0.6 / 1.2	0.6 / 1.2	0.6 / 1.2	0.6 / 1.2
KHU / kVp	300 / 150	300 / 150	300 / 150	300 / 150
Target Angle	12°	12°	12°	12°
Motor Driven Unit	Standard	Standard	Standard	Standard
Weight	541 Kg	541 Kg	541 Kg	541 Kg

Specifications subject to change without prior notice