

IRIS SERIES • EXAM LIGHTS



INTRODUCTION

SKYTRON's fully adjustable IRIS IR7 offers safe and efficient illumination of medical examinations and procedures. The light's one-of-a-kind parabolic and semi-faceted "self-cooling" reflector design allows air to circulate around the halogen lamp, which creates an even light distribution and beam pattern. The IRIS features an internal spring-loaded articulated arm with Teflon-coated bearings which provide a complete counterbalance system for unlimited flexibility. The mobile portable stand version, featuring lockable casters, provides quick and easy assembly and is effectively used in a variety of room sizes and configurations.

OPTIONS

Three styles of IRIS are available including: A freestanding portable stand on locking casters (IR7S) for complete mobility, ceiling-mounted version (IR7) and wall mount (IR7W).

Sterilizable Handle available, part # D-59210-000

FEATURES

Energy efficient 50W/12V halogen lamp with UV-stop glass coating has a rated life of 4,000 hours and provides 38,740 lux (3,400 fc) at 36" from the treatment area.

Self-cooling head design allows air to circulate around the semi-faceted reflector, which keeps the lamp cool and creates an even light distribution and beam pattern.

Revolutionary two-tier lens system enhances luminaire efficiency and safety, and provides a comfortable true-light (4,000k) environment for physicians.

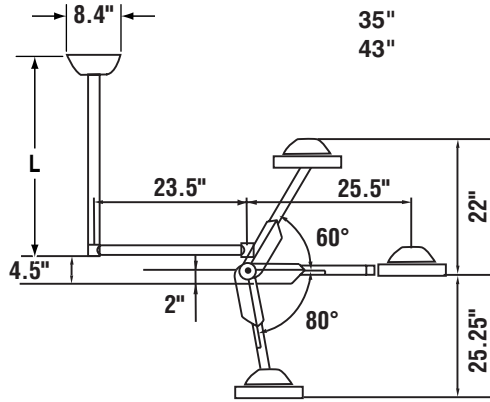
Fully pivoting 270° head and radial grab ring offers easy positioning and control.

Spring-balanced articulated arm with Teflon-coated bearings offers a complete counterbalance system.

Two-step switch provides the choice of adjusting the light to either 66% or 100% intensity.

IRIS SERIES

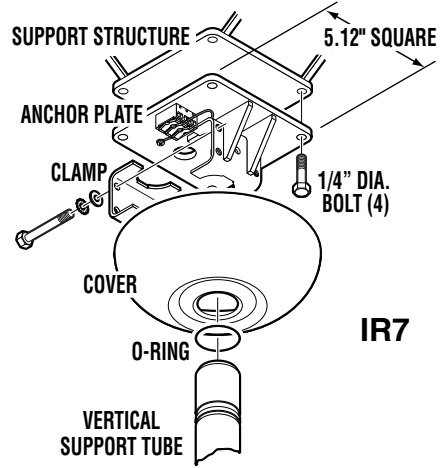
L	MODEL
20"	IR7-20
28"	IR7-28
35"	IR7-35
43"	IR7-43



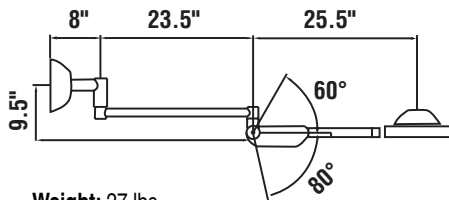
IR7

Weight: 29 lbs.
Moment Load: 118 ft. lbs.

SUPPORT STRUCTURE AND BRACING BY ENGINEER OF RECORD

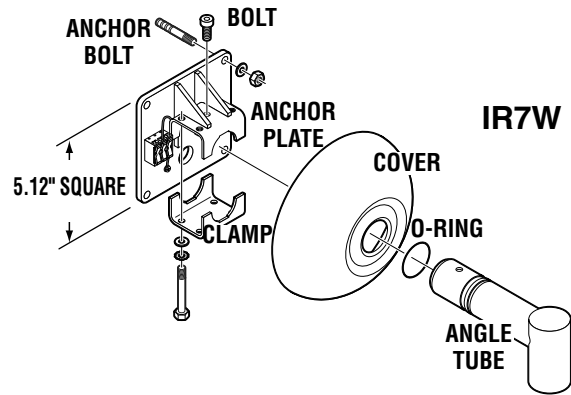


IR7



IR7W

Weight: 27 lbs.
Moment Load: 118 ft. lbs.



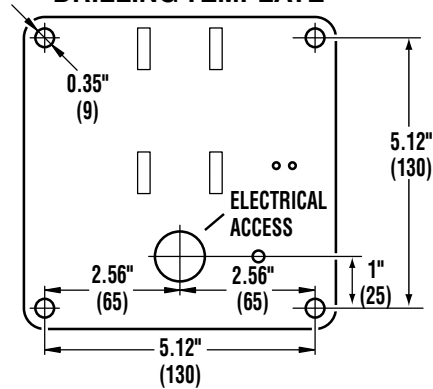
IR7W

MOUNTING GUIDELINE

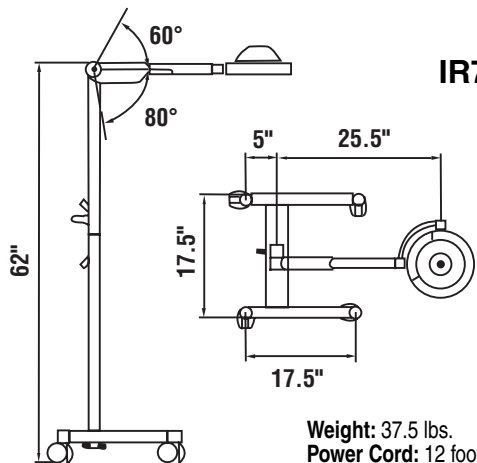
CONSULT SPECIFIC SEISMIC CALCULATIONS IF APPLICABLE

- Anchor Plate provided to be mounted to solid surface with (4) Anchor bolts, washers and nuts provided with fixture.
- (4) 8mm diameter holes, 55mm deep, 130mm square pattern required in accordance with Drilling Template.
- Fixture to be level at mounting for proper operation of lighthead.
- Wall construction that will not allow use of Anchor bolts will require backing plate and support hardware as specified by others.
- CONTRACTOR HAS FINAL RESPONSIBILITY for the strength and stability of the Mounting Structure.

DRILLING TEMPLATE



IR7S



Weight: 37.5 lbs.
Power Cord: 12 foot

GENERAL TECHNICAL DATA

Electrical: 120v, 60 Hz, 1 phase
Power Consumption: 50 watts (170 BTU/hr.)
Intensity: 38,740 lux (3,400 fc)
Color Temperature: 4,000° K
Beam Temperature: Less than 25,000 microwatts per sq. centimeter as recommended by the I.E.S. handbook.
Current Leakage: Less than 100 microamps
Bulb Type: Halogen 12v/ 150w



5085 Corporate Exchange Blvd. S.E.
Grand Rapids, MI 49512 • 616.656.2900 • FAX 616.656.2906