

Technical Data Sheet



ANALOG VETERINARY INTEGRATED TABLE/TUBESTAND SYSTEM

This fully-integrated, UL-Classified table/tubestand and high frequency generator system requires as little as 13.3 sq-ft of floor space. Tube detents at 40" SID and angulates $\pm 90^\circ$ with mechanical lock. Grid cabinet and tubestand easily interlock for automatic alignment. Molded rust-proof tray.

Options include

- hands-free collimator light
- traditional or latching prep
- cassette storage side panels
- operator's console for X-ray generator can be 2-point (kV/mAs) or Anatomically Programmed technique factor type
- foot treadle exposure switch

SPECIFICATIONS

Space requirements <i>(assumes X-ray generator is located under table)</i>	<ul style="list-style-type: none">• Column height: 82.2"• Minimum ceiling height: 85" (includes 2.8" clearance above top of column to allow $\pm 60^\circ$ of tube angulation)• Fixed table top: 57.3" wide, 33.5" deep
Mounting	<ul style="list-style-type: none">• Bolts to floor are recommended.• HV transformer & generator's power module can be located on shelf in table base.
Electrical Access	<ul style="list-style-type: none">• All cables enter from rear or side of table.• Front covers of table are removable for internal access.

ELECTRICAL REQUIREMENTS

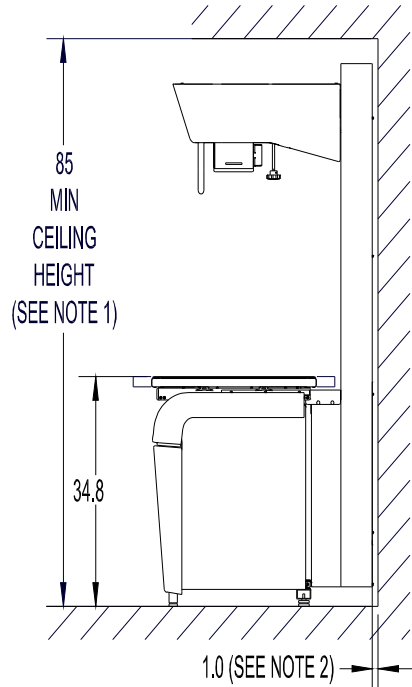
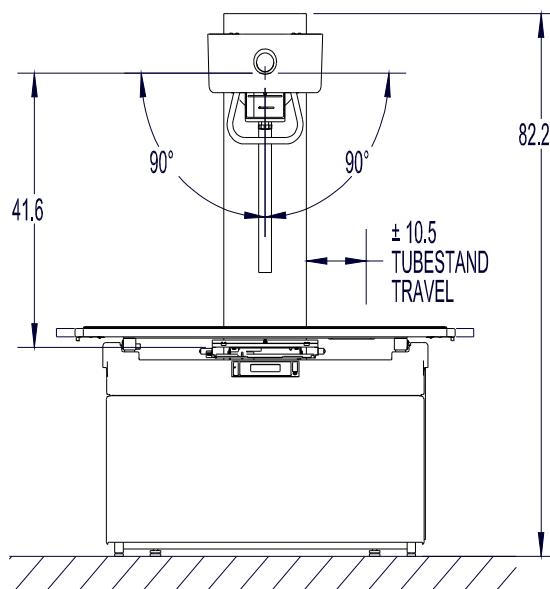
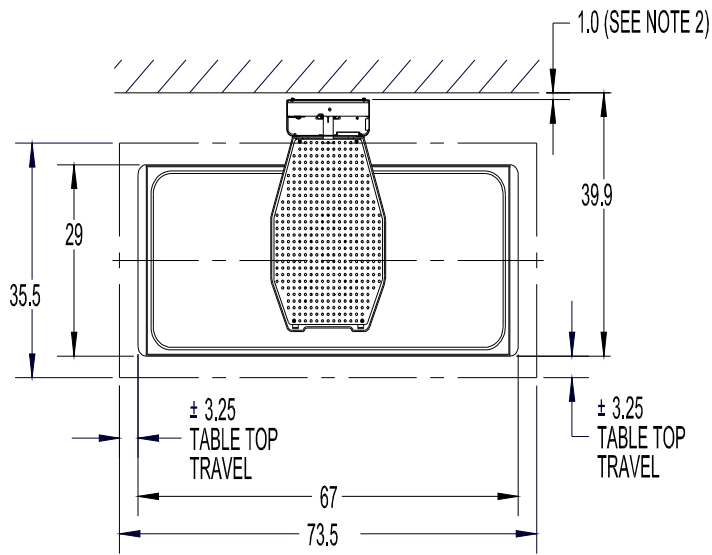
(For Summit 30kW 20kHz HF X-ray generator)

<ul style="list-style-type: none"> • 240 VAC, single phase, 100 Amp disconnect, 200 Amp maximum momentary load.
<ul style="list-style-type: none"> • 37.5 kVA distribution transformer
<ul style="list-style-type: none"> • Maximum line voltage drop under full load conditions not to exceed 5%.
<ul style="list-style-type: none"> • Recommended copper wire sizes are #2 for 50' run, #00 for 100' run, 250 MCM for 200' run. <ul style="list-style-type: none"> ○ <i>(Run is distance between distribution transformer and service disconnect)</i>
<ul style="list-style-type: none"> • Line voltages below 230 VAC require an optional step-up transformer <ul style="list-style-type: none"> ○ <i>(The optional step-up transformer mounts inside generator's power module)</i>
<ul style="list-style-type: none"> • The generator provides 24 VDC and 24 VAC supply voltages for table locks (4-way float top table only) and collimator, respectively.

SHIPPING INFORMATION – 4-way Float-Top Table

CONTENTS	DIMENSIONS (L x W x H)	WEIGHT
Tubestand	81" x 17" x 7"	150 lbs.
Table, collimator, tube, film cab, grid, tray, table covers, tube cover, tube mount, tube arm & accessories	73" x 38.5" x 44"	575 lbs.

Technical Drawings for the Versa with Four Way Table Top



SCALE: 1/2" = 1"

NOTES:

1. 2.75" ADDED ON TOP TO ALLOW FOR FULL TUBE ANGULATION.
2. 1" REAR GAP BETWEEN TUBESTAND AND WALL.