

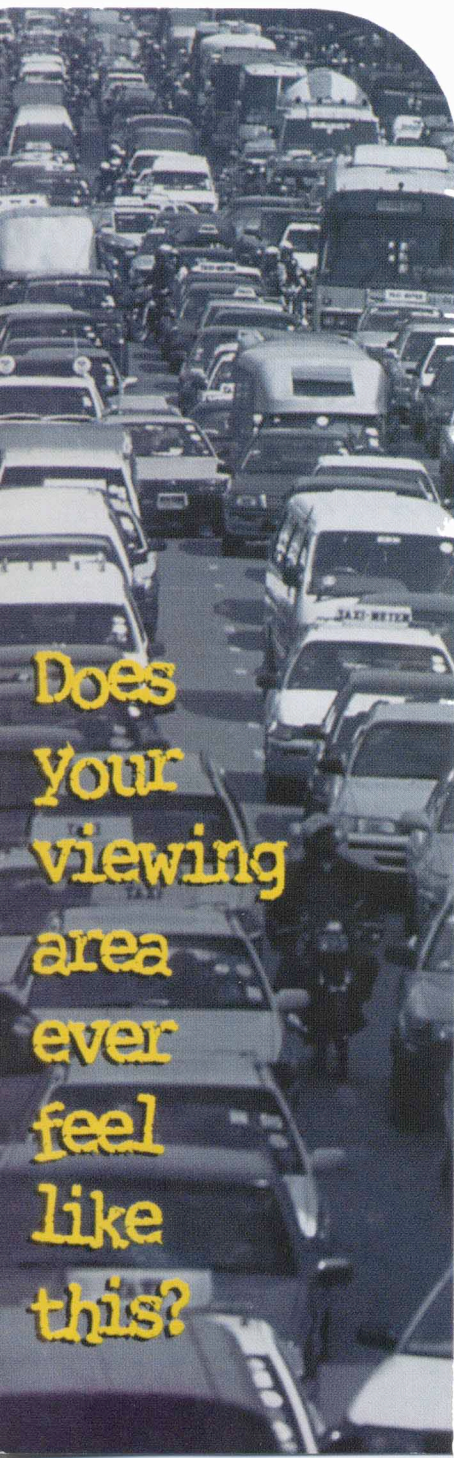
# Rolloscope II®

# Motorized General Purpose Filmviewer

## Accelerate throughput with Rolloscope II®

For over four decades, Rolloscope II has helped thousands of sites drive productivity.

*Get in the fast lane, today.*



Does  
your  
viewing  
area  
ever  
feel  
like  
this?

### View Films Within Minutes:

- ▶ Delivered directly to designated area
- ▶ Comes blanket-wrapped; no messy packing materials
- ▶ Moves easily on large wheels; no dollies needed
- ▶ Fits through a standard door
- ▶ Requires only one 20AMP outlet to operate

### Discover Efficient Design:

- ▶ Holds 400 14" x 17" films; more with smaller films
- ▶ No strings to hold films:
  - Unobstructed viewing
  - Easy to load and unload
- ▶ Adjustable light output from 875 to 3,500 nit
- ▶ Eight individually controlled light frames
- ▶ Vertical scrolling; view sitting or standing
- ▶ Slanted viewing area minimizes back strain
- ▶ Optional frame selector accesses any of 50 panels (100 rows)

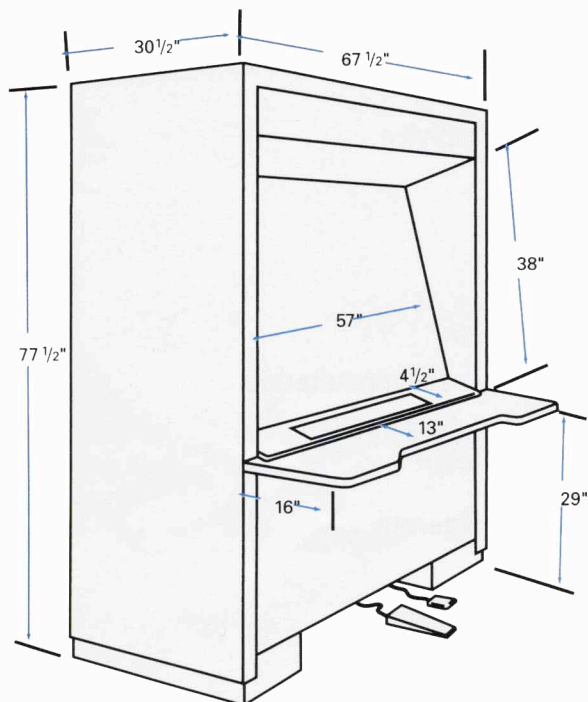
### And Reliability For The Road Ahead:

- ▶ Film belt - normal life expectancy a minimum of 10 years
- ▶ "Off the shelf" parts for easy maintenance
- ▶ Nationwide technical support



# Rolloscope II®

# Motorized General Purpose Filmviewer



Underwriters Laboratories Classified  
Made in the U.S.A.  
CL Approved

## General Specifications:

Floor Space:	68" x 32"
Film Capacity:	400 14" x 17" films, on 50 separate panels
Viewing Area:	38" x 57" (965 x 1450 mm) with eight individual viewing areas in a "four-over-four" format
Film Transport Belt:	Motor driven, up or down
Film Transport Speed:	1 film row/sec.
Light Output:*	875-3500 nit (candela/m <sup>2</sup> )
Heat Output:	Max: 2200 BTU/hour
Weight:	Net: 1000lbs. (454 kg)

## Standard Version - Catalog#: 125-004

ROLLO 2 Motorized High-Capacity Filmviewer  
Completely assembled, including scrolling footswitch, hot light footswitch and fluorescent lamps. Outlets for owner's hot light and recorder. 120V, 60Hz.

## Power Requirements

Line Voltage:	100 - 130 VAC
Frequency:	60Hz
Fuse:	20A

## Optional:

### Auto Frame Selector-Factory Installed-Catalog#:125-004A

LED readout identifies desired frame position; convenient thumbwheel control easily dials in desired frame; up/down push buttons for single row scroll.

### Hot Light with Adjustable Iris - Catalog#: sp-2

Allows a 1/4" to 4" diameter field of light. Excludes extraneous light to easily pinpoint area of concern on the film. Foot operated dimmer provides variable light intensity.

### Conversion Table

Rounded to nearest 1/16"

INCHES	77 1/2	67 1/2	57	38	30 1/2	29	16	13	4 1/2
MM	1970	1715	1450	965	775	736 1/2	406	330	114



T. (800)232-2948  
F. (800)625-1381  
EMAIL: [info@broadwest.com](mailto:info@broadwest.com)