



MEDICAL CARTS & CABINETS

BEST SELLERS



#3905CBL



#3812MAW



#3923CYE



#23970MAW



#27034C-EL

Lakeside continues to roll forward with new and better medical cart solutions that result in improved patient care. Our innovative designs offer the flexible options you need for highly specified tasks.



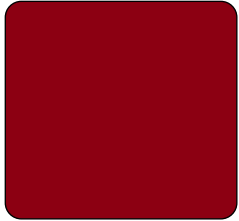
Introducing:

SecurMED
MEDICATION MANAGEMENT CARTS

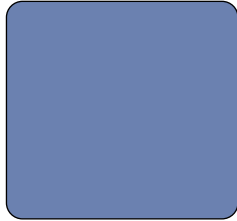
INCREASE ORGANIZATION AND SAFETY WITH JCAHO COMPLIANT SECURMED MEDICATION MANAGEMENT CARTS

CART BASICS

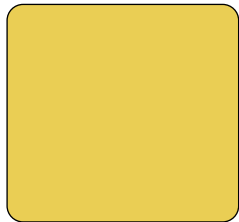
STANDARD COLORS



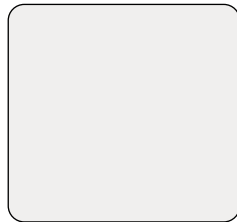
Red
(RD)



Blue
(BL)



Yellow
(YE)



Autumn White
(AW)

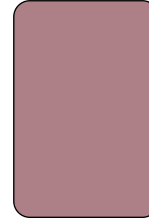
DESIGNER COLORS



Navy



Teal



Mauve



Beige



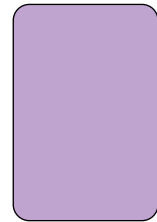
Sand



Green



Orange



Lavender

Selecting a cart with a designer color is considered a special order and will have a longer lead-time and an additional designer color fee.

Swatch colors are approximations. Actual colors may vary.

HOMED CLASSIC

Lakeside Classic carts are available in four standard colors and eight designer colors. When ordering your Classic cart, follow these basic steps to ensure proper cart color selection.

ORDERING STANDARD COLORS:

STEP 1: Select the cart model. For example, the basic model number for a five drawer, tall shell classic cart is **3905C**.

STEP 2: Select the cart color from the color chips shown above. Add the color code to the end of the model number. For example, the model number for a five drawer, tall shell cart in red is: **3905CRD**.



ORDERING DESIGNER COLORS:

STEP 1: Select the cart model. For example, the basic model number for a five drawer, tall shell classic cart is **3905C**.

STEP 2: Select the cart color from the designer color chips shown above. Add SP to the end of the model number. For example, the model number for a five drawer, tall shell cart with a designer color is: **3905CSP**.

STEP 3: Specify the designer color at the end of the model number. For example, a five drawer, tall shell classic cart in Mauve is ordered as a **3905CSPMAUVE**.

Selecting a cart with a designer color is considered a special order and will have a longer lead-time and an additional designer color fee.

HOMED Preferred Carts

The standard color configuration for Lakeside Preferred Carts is Autumn White with a user selected drawer color.

Lakeside Preferred Carts can be ordered in numerous color configurations:

- A. Autumn White shell with any of the standard color drawers
- B. Both shell and drawers in the four standard colors
- C. Autumn White shell and drawers with any of the eight designer colors
- D. Both shell and drawers in any of the eight designer colors.



A. ORDERING A PREFERRED CART WITH BOTH SHELL AND DRAWERS THE SAME STANDARD COLOR

STEP 1: Select the cart model. For example, the basic model number for a five-drawer, short shell Preferred cart is **23955M**.

STEP 2: Select the shell and drawer color from the standard color chips shown on page 30. Add the color code to the end of the model number. For example, the model number for a five-drawer, short shell cart in solid red (shell and drawers) is **23955MRD**.

B. ORDERING A PREFERRED CART WITH AN AUTUMN WHITE SHELL AND STANDARD COLOR DRAWERS

This color configuration is considered a special order. The lead-time does not change and there are no additional charges.

STEP 1: Select the cart model. For example, the basic model number for a five-drawer, short shell Preferred cart is **23955M**.

STEP 2: Select the shell color and drawer color from the standard color chips shown on page 30. Add SP to the end of the model number. For example, the model number for a non-standard, five-drawer, short shell cart is: **23955MSP**.

STEP 3: Identify the shell color. Identify the drawer color. For example, a five-drawer, short shell cart with Autumn White Shell and Red drawers is: **23955MSPAWRD**.

C. ORDERING A PREFERRED CART WITH SHELL AND DRAWERS THE SAME DESIGNER COLOR

STEP 1: Select the cart model. For example, the basic model number for a five-drawer, short shell preferred cart is **23955M**.

STEP 2: Select the designer shell and drawer color from the designer color chips shown on page 30. Add SP to the end of the model number. For example, the model number for a non-standard, five-drawer, short shell cart is: **23955MSP**.

STEP 3: Identify the designer shell and drawer color. For example, a five-drawer, short shell cart in all designer Green is: **23955SPGREEN**.

D. ORDERING A PREFERRED CART WITH AN AUTUMN WHITE SHELL AND DESIGNER COLOR DRAWERS

STEP 1: Select the cart model. For example, the basic model number for a five-drawer, short shell Preferred cart is **23955M**.

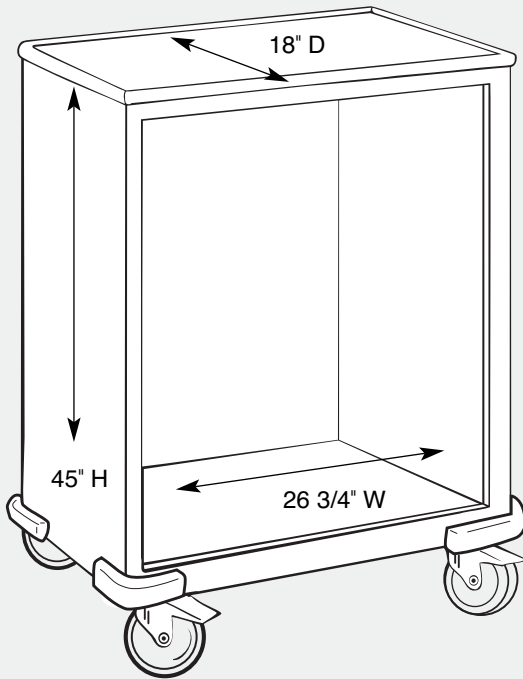
STEP 2: The shell will be Autumn White (AW). Select the drawer color from the designer color chips shown on page 30. Add SP to the end of the model number. For example, the model number for a non-standard, five-drawer, short shell cart is: **23955MSP**.

The cart shell color will follow the SP. For example, a five-drawer, short shell cart with an Autumn White Shell is: **23955MSPA**.

STEP 3: Identify the designer drawer color. For example, a five-drawer, short shell cart with Autumn White Shell and designer green drawers is: **23955MSPA**GREEN.

CLASSIC CART BASICS

HOMED CLASSIC



3905C 5-Drawer Cart Standard with:

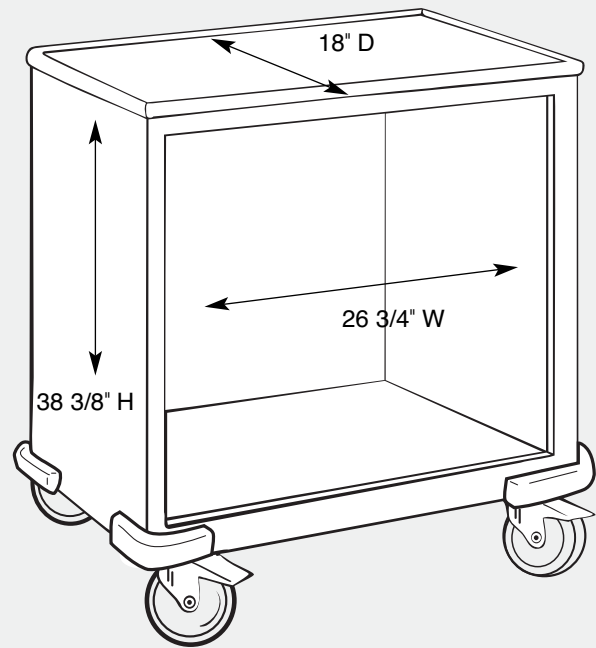
- (4) – 3" drawers
- (1) – 6" drawer
- (1) – 13" bottom compartment

3923C 3-Drawer Cart Standard with:

- (2) – 9" drawers
- (1) – 12" drawer

3926C 6-Drawer Cart Standard with:

- (4) – 3" drawers
- (1) – 6" drawer
- (1) – 12" drawer



3903C 3-Drawer Cart Standard with:

- (2) – 3" drawers
- (1) – 6" drawer
- (1) – 13" bottom compartment

3914C 4-Drawer Cart Standard with:

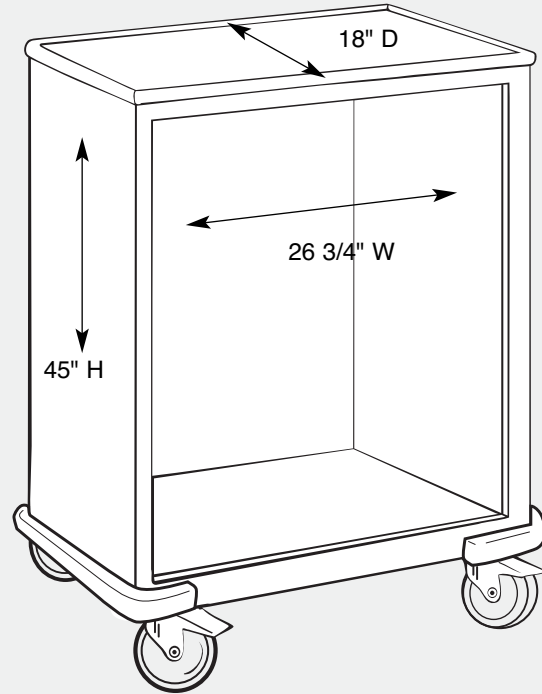
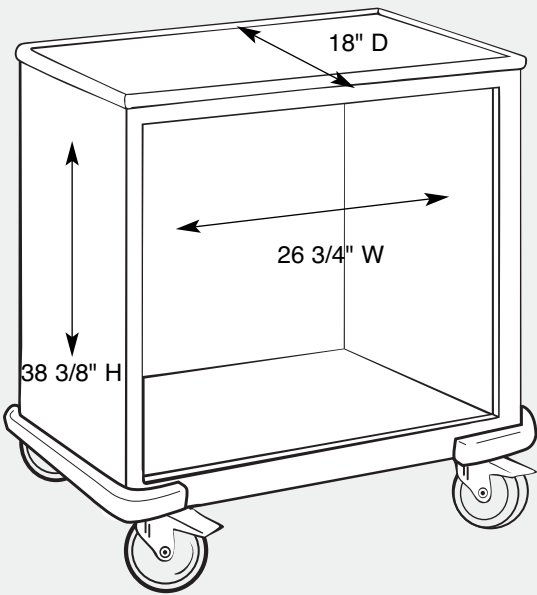
- (2) – 3" drawers
- (1) – 6" drawer
- (1) – 12" drawer

3915C 5-Drawer Cart Standard with:

- (3) – 3" drawers
- (1) – 6" drawer
- (1) – 9" drawer

PREFERRED CART BASICS

HOMED Preferred Carts



23954M 4-Drawer Cart Standard with:

- (2) – 3" drawers
- (1) – 6" drawer
- (1) – 12" drawer

23955M 5-Drawer Cart Standard with:

- (3) – 3" drawers
- (1) – 6" drawer
- (1) – 9" drawer

23964M 4-Drawer Cart Standard with:

- (1) – 3" drawer
- (3) – 9" drawers

23965M 5-Drawer Cart Standard with:

- (2) – 3" drawers
- (2) – 6" drawers
- (1) – 12" drawer

23966M 6-Drawer Cart Standard with:

- (4) – 3" drawers
- (1) – 6" drawers
- (1) – 12" drawer
- (3) – 3" drawers
- (2) – 6" drawers
- (1) – 9" drawer

23968M 8-Drawer Cart Standard with:

- (7) – 3" drawers
- (1) – 9" drawer

23969M 9-Drawer Cart Standard with:

- (8) – 3" drawers
- (1) – 6" drawer

23976M 6-Drawer Cart Standard with:

- (3) – 3" drawers
- (2) – 6" drawers
- (1) – 9" drawer

23922M 4-Drawer Cart Standard with:

- (1) – 3" drawers
- (1) – 6" drawers
- (2) – 20" drawer

ANESTHESIA CARTS

HOMED CLASSIC

Standard Features

- 18- and 20-gauge steel with welded seams provides durability
- Premium 5" (127) donut-shaped casters make this cart easy to maneuver
- Includes 2 swivel, 1 swivel with directional lock and 1 swivel with brake lock casters (factory installed)
- Epoxy-polyester powder coating resists marring, chipping and peeling
- Rubber corner bumpers extend out 1 1/4" to protect walls and furniture
- Removable ABS plastic top allows for thorough cleaning
- Roller bearing drawer slides prevent drawer sticking
- Pre-drilled holes for easy accessory installation
- Push handle for increased control
- One-piece drawer designed for strength and integrity with recessed full-length drawer pull for quick and easy access

Classic Cart Accessories - see page 46

5-DRAWER ANESTHESIA CART

- Standard Blue with security-coded dimpled key and lock for added security

| MODEL | DRAWER SIZE | DIMENSIONS | | | SHIP |
|--------|---|------------|---------|-----|--------------|
| | | W | D | H | WEIGHT (LBS) |
| 3905C- | 4 - 3" drawers 1 - 6" drawer 13" bottom compartment | 31" | 19 5/8" | 45" | 166 |

Specify color by adding suffix to model #: Red - RD; Blue - BL; Autumn White - AW * If ordered in Red, standard with locking bar on drawer and butterfly lock on door order breakaway seals with padlock body #23010M

5-DRAWER ANESTHESIA CART

- Standard with locking bar on the drawers and butterfly lock on the door - red only
- Standard with lock and key for added security - blue, yellow, autumn white
- Order breakaway seals with padlock body #23010M

| MODEL | DRAWER SIZE | DIMENSIONS | | | SHIP |
|--------|--|------------|---------|---------|--------------|
| | | W | D | H | WEIGHT (LBS) |
| 3915C- | 3 - 3" drawers 1 - 6" drawer 1 - 9" drawer | 31" | 19 5/8" | 38 3/8" | 153 |

Specify color by adding suffix to model #: Autumn White - AW; Red - RD; Blue - BL; Yellow - YE



#3905CBL



#3915CBL

FREIGHT CLASS 200 STANDARD PRODUCTS SHIP IN 15 DAYS OR LESS

HOMED Preferred Carts

Preferred cart upgrades

- Heavy duty, double wall steel construction for added strength and durability
- Two-thirds bumper system for extra protection
- Built-in sliding side shelf provides additional workspace
- Counter-weighted base for greater stability
- Hybrid powder coat finish is durable and more colorfast through many years of use
- “Easy Turn” gang locking mechanism for quick locking



Side Shelf/Handle – Standard Feature for Lakeside Preferred

5-DRAWER ANESTHESIA CART

- Key lock for added security
- Shipping Weight: 181 lbs
- Available electronic lock option (Model # 23955MEL-)

| DIMENSIONS | | | | |
|------------|----------------|---------|-----|-----|
| MODEL | DRAWER SIZE | W | D | H |
| 23955M- | 3 – 3" drawers | 26 1/2" | 22" | 35" |
| | 1 – 6" drawer | | | |
| | 1 – 9" drawer | | | |

23955MEL- Same as 23955M- but with electronic locking

Specify color by adding suffix to model #: Autumn White - AW; Red - RD; Blue - BL; Yellow - YE; Autumn White w/Teal drawers - AT

6-DRAWER ANESTHESIA CART

- Key lock for added security
- Shipping Weight: 200 lbs
- Available electronic lock option (Model #23976MEL-)

| DIMENSIONS | | | | |
|------------|----------------|---------|-----|-----|
| MODEL | DRAWER SIZE | W | D | H |
| 23976M- | 3 – 3" drawers | 26 1/2" | 22" | 43" |
| | 2 – 6" drawers | | | |
| | 1 – 9" drawer | | | |

23976MEL- Same as 23976M- but with electronic locking

Specify color by adding suffix to model #: All Autumn White - AW; Autumn White w/Blue drawers - AB; All Blue - BL

FREIGHT CLASS
200
STANDARD PRODUCTS
SHIP IN 15 DAYS OR LESS



#23955MAT

Shown with optional High Back ABS Top, #26014MT

#23976MAB

#23976MSPEL

Shown with optional High Back ABS Top, #26014MT.

Cart Drawers are shown in Designer Navy

See pages 46-47 for accessories.



Optional Trays and Dividers



Optional Cardiac Board & Bracket #23004M



Optional Defibrillator Shelf #26033M

EMERGENCY CARTS

HOMED CLASSIC

Standard Features

- 18- and 20-gauge steel with welded seams provides durability
- Premium 5" (127) donut-shaped casters make this cart easy to maneuver. Includes 2 swivel, 1 swivel with directional lock and 1 swivel with brake lock casters (factory installed).
- Epoxy-polyester powder coating resists marring, chipping and peeling
- Rubber corner bumpers extend out 1 1/4" to protect walls and furniture
- Removable ABS plastic top allows for thorough cleaning
- Roller bearing drawer slides prevent drawer sticking
- Pre-drilled holes for easy accessory installation
- Push handle for increased control
- One-piece drawer designed for strength and integrity with recessed full-length drawer pull for quick and easy access

Classic Cart Accessories - see page 46

LAKESIDE CLASSIC ACCESSORY PACKAGES:

CLASSIC EMERGENCY CARTS

PACKAGE A: #115154

| | |
|---------------|--|
| 3002M | Folding Side Shelf |
| 23004M | Cardiac Board and Bracket |
| 3005M | IV Pole w/Brackets, Adjustable |
| 3006M | Railing and Supports |
| 23008M | Oxygen Tank Bracket |
| 3009M | Utility Hooks (2) |
| 23010M | Breakaway Seals, Padlock Bodies, 100/pkg |
| 6016M | Drawer Trays, 2 1/2"H (2) w/adjustable dividers (10) |

PACKAGE B: #115155

| | |
|---------------|--|
| 3002M | Folding Side Shelf |
| 23004M | Cardiac Board and Bracket |
| 3006M | Railing and Supports |
| 23008M | Oxygen Tank Bracket |
| 23010M | Breakaway Seals, Padlock Bodies, 100/pkg |

Shown with optional Folding Side Shelf, IV pole, Oxygen Tank Holder, and Tall Top

PACKAGE C: #115156

| | |
|---------------|--|
| 23004M | Cardiac Board and Bracket |
| 3005M | IV Pole w/Brackets, Adjustable |
| 3006M | Railing and Supports |
| 23008M | Oxygen Tank Bracket |
| 23010M | Breakaway Seals, Padlock Bodies, 100/pkg |



#3905CRD



#3903CBL



#3914CRD



#3926CBL

3-DRAWER EMERGENCY CART

- Standard red with locking bar on the drawers and butterfly lock on the door – red only
- Standard with lock & key for added security – blue, yellow, autumn white
- Order breakaway seals with padlock body #23010M

| MODEL | DRAWER SIZE | DIMENSIONS | | | SHIP WEIGHT (LBS.) |
|---------------|---|------------|---------|---------|--------------------|
| | | W | D | H | |
| 3903C- | 2 – 3" drawers 1 – 6" drawer 13" Bottom Compartment | 31" | 19 5/8" | 38 3/8" | 140 |

Specify color by adding suffix to model #: Red - RD; Blue - BL; Yellow - YE; autumn white-AW

4-DRAWER EMERGENCY CART

- Security-coded dimpled key and lock for added security

| MODEL | DRAWER SIZE | DIMENSIONS | | | SHIP WEIGHT (LBS.) |
|---------------|---|------------|---------|---------|--------------------|
| | | W | D | H | |
| 3914C- | 2 – 3" drawers 1 – 6" drawer 1 – 12" drawer | 31" | 19 5/8" | 38 3/8" | 141 |

Specify color by adding suffix to model #: Red - RD; Blue - BL; autumn white-AW

5-DRAWER EMERGENCY CART

- Standard with locking bar on the drawers and butterfly lock on the door – red only
- Standard with lock & key for added security – blue, yellow, autumn white
- Order breakaway seals with padlock body #23010M

| MODEL | DRAWER SIZE | DIMENSIONS | | | SHIP WEIGHT (LBS.) |
|---------------|---|------------|---------|-----|--------------------|
| | | W | D | H | |
| 3905C- | 4 – 3" drawers 1 – 6" drawer 13" bottom compartment | 31" | 19 5/8" | 45" | 166 |

Specify color by adding suffix to model #: Red - RD; Blue - BL; autumn white-AW

6-DRAWER EMERGENCY CART

- Security-coded dimpled key and lock for added security

| MODEL | DRAWER SIZE | DIMENSIONS | | | SHIP WEIGHT (LBS.) |
|---------------|---|------------|---------|-----|--------------------|
| | | W | D | H | |
| 3926C- | 4 – 3" drawers 1 – 6" drawer 1 – 12" drawer | 31" | 19 5/8" | 45" | 170 |

Specify color by adding suffix to model #: Red - RD; Blue - BL; autumn white-AW

FREIGHT CLASS 200
STANDARD PRODUCTS SHIP IN 15 DAYS OR LESS



Preferred
Standard With
Built-In Side
Shelf

#23954MRD

Shown with optional IV Pole
#3005M, Oxygen Tank Holder
#23008M and Tall Top
#26014MT

4-DRAWER EMERGENCY CART

- Available electronic lock option for added security (Model # 23954MEL-)

| MODELS | DRAWER SIZE | DIMENSIONS | | | SHIP WEIGHT (LBS.) |
|---------|---|------------|-----|-----|--------------------|
| | | W | D | H | |
| 23954M- | 2 – 3" drawers 1 – 6" drawer 1 – 12" drawer | 26 1/2" | 22" | 35" | 181 |

23954MEL- Same as 23954M- but with electronic lock option

5-DRAWER EMERGENCY CART

- Available electronic lock option for added security (Model # 23965MEL-)

| MODELS | DRAWER SIZE | DIMENSIONS | | | SHIP WEIGHT (LBS.) |
|---------|--|------------|-----|-----|--------------------|
| | | W | D | H | |
| 23965M- | 2 – 3" drawers 2 – 6" drawers 1 – 12" drawer | 26 1/2" | 22" | 43" | 195 |

23965MEL- Same as 23965M- but with electronic lock option

6-DRAWER EMERGENCY CART

- Available electronic lock option for added security (Model # 23966MEL-)

| MODELS | DRAWER SIZE | DIMENSIONS | | | SHIP WEIGHT (LBS.) |
|---------|---|------------|-----|-----|--------------------|
| | | W | D | H | |
| 23966M- | 4 – 3" drawers 1 – 6" drawer 1 – 12" drawer | 26 1/2" | 22" | 43" | 200 |

23966MEL- Same as 23966M- but with electronic lock option

Specify color by adding suffix to model #: Red - RD; Blue - BL; AW - Autumn White



HOMED Preferred Carts

Preferred cart upgrades

- Heavy duty, double wall steel construction for added strength and durability
- Two-thirds bumper system for extra protection
- Built-in sliding side shelf provides additional workspace
- Counter-weighted base for greater stability
- Hybrid powder coat finish is durable and more colorfast through many years of use
- "Easy Turn" gang locking mechanism for quick locking

Preferred Cart Accessories - see page 46-47

LAKESIDE PREFERRED ACCESSORY PACKAGES:

PREFERRED EMERGENCY CARTS

PACKAGE A: #115159

- 23004M Cardiac Board and Bracket
- 3005M IV Pole w/Brackets, Adjustable
- 23008M Oxygen Tank Bracket
- 3009M Utility Hooks (2)
- 23010M Breakaway Seals, Padlock Bodies, 100/pkg
- 23014MT Tall Top 4 1/2" Back Splash

PACKAGE B: #115160

- 23004M Cardiac Board and Bracket
- 23008M Oxygen Tank Bracket
- 23014MT Tall Top 4 1/2" Back Splash



#23965MARD

Shown with optional
Tall Top #26014MT

PREFERRED ISOLATION CARTS

PACKAGE A: #115161

- 23014MT Tall Top 4 1/2" Back Splash
- 3009M Utility Hooks (2)
- 6015M Coat Rack
- 6018M Waste Bag Holder
- 6019M Waste Bags (20)

PACKAGE B: #115162

- 23014MT Tall Top 4 1/2" Back Splash
- 3009M Utility Hooks (2)
- 6015M Coat Rack



#23966MABL

ISOLATION CARTS

HOMED CLASSIC



Standard Features

- 18- and 20-gauge steel with welded seams provides durability
- Premium 5" (127) donut-shaped casters make this cart easy to maneuver
- Includes 2 swivel, 1 swivel with directional lock and 1 swivel with brake lock casters (factory installed)
- Epoxy-polyester powder coating resists marring, chipping and peeling
- Rubber corner bumpers extend out 1 1/4" to protect walls and furniture
- Removable ABS plastic top allows for thorough cleaning
- Roller bearing drawer slides prevent drawer sticking
- Pre-drilled holes for easy accessory installation
- Push handle for increased control
- One-piece drawer designed for strength and integrity with recessed full-length drawer pull for quick & easy access

CLASSIC ISOLATION CARTS

PACKAGE A: #115157

3006M Railing and Supports

3009M Utility Hooks (2)

6015M Coat Rack

6018M Waste Bag Holder

6019M Waste Bags (20)

PACKAGE B: #115158

3006M Railing and Supports

3009M Utility Hooks (2)

6015M Coat Rack

3-DRAWER ISOLATION CART

- Security-coded dimpled key and lock for added security

| MODELS | DRAWER SIZE | DIMENSIONS | | | SHIP WEIGHT (LBS.) |
|---------------|----------------------------------|------------|---------|-----|--------------------|
| | | W | D | H | |
| 3923C- | 2 – 9" drawers 1 – 12" drawer | 31" | 19 5/8" | 45" | 155 |

Specify color add suffix to Model #: Autumn White - AW, Red - RD, Blue - BL, Yellow - YE

Classic Cart Accessories - see page 46



HOMED Preferred Carts

Preferred cart upgrades

- Heavy duty, double wall steel construction for added strength and durability
- Two-thirds bumper system for extra protection
- Built-in sliding side shelf provides additional workspace
- Counter-weighted base for greater stability
- Hybrid powder coat finish is durable and more colorfast through many years of use
- "Easy Turn" gang locking mechanism for quick locking



Optional Waste Bag Holder #6018M and Waste Bags #6019M



Preferred Standard With Built-In Side Shelf

Preferred Cart Accessories - see page 46-47

4-DRAWER ISOLATION CART

- Security-coded dimpled key and lock for added security

| MODELS | DRAWER SIZE | DIMENSIONS | | | SHIP WEIGHT (LBS.) |
|----------------|---------------------------------|------------|-----|-----|--------------------|
| | | W | D | H | |
| 23964M- | 1 – 3" drawer 3 – 9" drawers | 26 1/2" | 22" | 43" | 142 |

Specify color add suffix to Model #: Autumn White Shell with Yellow Drawers - AY, All Yellow - YE; Red - RD; Blue - BL



MEDICATION CARTS

HOMED Preferred Carts



#23944MAW

Preferred Cart Accessories -
see page 46-47

4-DRAWER PUNCH CARD MEDICATION CART

Includes all of the standard features of the Preferred Medical Carts plus:

- Convenient lockable side cabinet lets you store cups, wipes and general medical supplies
- Built-in waste container in side cabinet is at your fingertips
- Divider Basket - dividers sold separately (#6031MPD)
- Locking Narcotic Box for drawer (#29000NC) 9" H x 7 1/2" W x 17"D
- Security-coded dimple key and lock for added security

| MODELS | DRAWER SIZE | DIMENSIONS | | | SHIP WEIGHT (LBS.) |
|----------|----------------------------------|------------|-----|-----|-----------------------|
| | | W | D | H | |
| 23944MAW | 1 - 3" drawer, 3 - 9" drawers | 32" | 22" | 43" | 232 |

Autumn White only



Both 23944MAW and 23970MAW include Narcotic Box #29000NC
and Side Mount Storage Cabinet



#23970MAW

UNIT DOSE MEDICATION CART

Includes all of the standard features of the Preferred Medical Carts plus:

- Convenient lockable side cabinet lets you store cups, wipes and general medical supplies
- Built-in waste container in side cabinet is at your fingertips
- Locking Narcotic Box for drawer (#29000NC) 9" H x 7 1/2" W x 17"D
- 24 Bins and Dividers
- Waste receptacle and side-mount storage cabinet
- Security-coded dimple key and lock for added security

| MODELS | DRAWER SIZE | DIMENSIONS | | | SHIP WEIGHT (LBS.) |
|----------|--|------------|-----|-----|-----------------------|
| | | W | D | H | |
| 23970MAW | 1 - 3" drawer 1 - 6" drawer 1 - 12" drawer | 32" | 22" | 43" | 250 |

Autumn White only



MEDICATION CARTS, CASSETTE DISPENSING

SecurMED

MEDICATION MANAGEMENT CARTS

COMPACT CAPACITY MEDICATION CARTS

- Space efficient footprint fits into tight locations
- Cassette option organizes medication for multiple patients
- Drawers offer multiple options for patient medications and supplies

**INCREASE ORGANIZATION
AND SAFETY WITH
JCAHO COMPLIANT
SECURMED MEDICATION
MANAGEMENT CARTS**

|O|R|G|A|N|I|Z|E|D|
for **SAFETY**



#27034C-EL

COMMON FEATURES:

SecurMED

STANDARD FEATURES

- ✓ Steel construction
- ✓ Smooth work surface
- ✓ Non-marring bumpers
- ✓ Quiet, 4" non-marking casters
- ✓ Dual -Wheel Casters:
2 swivel & 2 swivel with brakes
- ✓ Ball bearing drawer slides
- ✓ Contemporary styling



| MODEL | SIZE | DISPENSING METHOD | DIMENSIONS | | | BIN WIDTH | # OF BINS | DRAWERS | # OF CASSETTES |
|--------|---------|-------------------|------------|-----|---------|-----------|-----------|----------|----------------|
| | | | W | L | H | | | | |
| 27033C | Compact | Cassette | 22 1/2" | 23" | 49 1/4" | 3" | 40 | 1 - 6" D | 4 |
| 27034C | Compact | Cassette | 22 1/2" | 23" | 49 1/4" | 4" | 32 | 1 - 6" D | 4 |
| 27045C | Compact | Cassette | 22 1/2" | 23" | 49 1/4" | 5" | 24 | 1 - 6" D | 4 |
| 27048C | Compact | Cassette | 22 1/2" | 23" | 49 1/4" | 8" | 16 | 1 - 6" D | 4 |

CHOOSE YOUR LOCKING SYSTEM

Add the following suffix to the above model numbers:

-M - Manual Key -EL - Numeric keypad with override key -PREL - Proximity with override key -MSEL - Magnetic stripe with override key

MEDICATION CARTS, UNIT DOSE

SecurMED

MEDICATION MANAGEMENT CARTS

BENEFITS

-Lifetime durability
-Easy to clean
-Protects walls and furniture
-Doesn't disturb patients
-Fluid mobility with extra stability
-Smooth, efficient access
-Looks great in healthcare facilities



#27085M-EL

INTERMEDIATE CAPACITY MEDICATION CARTS

- Unit dose configured for multiple patients
- Separate plastic bins or drawer dividers per patient for organization
- Drawer options for a variety of patient medications and supplies



#27095P-EL



| MODEL | SIZE | DISPENSING METHOD | DIMENSIONS | | | BIN WIDTH | # OF BINS | DRAWERS | # OF CASSETTES |
|--------|--------------|-------------------|------------|-----|---------|-----------|-----------|----------------------|----------------|
| | | | W | L | H | | | | |
| 27073M | Intermediate | Unit Dose | 30 1/2" | 23" | 49 1/4" | 3" | 56 | 1 - 9" D 7 - 3" D | N/A |
| 27074M | Intermediate | Unit Dose | 30 1/2" | 23" | 49 1/4" | 4" | 42 | 1 - 9" D 7 - 3" D | N/A |
| 27085M | Intermediate | Unit Dose | 30 1/2" | 23" | 49 1/4" | 5" | 28 | 1 - 9" D 7 - 3" D | N/A |
| 27088M | Intermediate | Unit Dose | 30 1/2" | 23" | 49 1/4" | 8" | 21 | 1 - 9" D 7 - 3" D | N/A |
| 27095P | Intermediate | Punch Card | 30 1/2" | 23" | 49 1/4" | 8" | NA | 1 - 3" D 3 - 9" D | N/A |

CHOOSE YOUR LOCKING SYSTEM

Add the following suffix to the above model numbers:

-M - Manual Key **-EL** - Numeric keypad with override key **-PREL** - Proximity with override key **-MSEL** - Magnetic stripe with override key

MEDICATION CARTS/PILL CARTS

SecurMED

MEDICATION MANAGEMENT CARTS

FULL-SIZE CAPACITY MEDICATION CARTS

- Deep and wide drawers support 30-day medication punch cards
- Separate plastic bins or drawer dividers per patient
- Drawers come in 3", 6" and 9" depths to fit all of your storage needs
- Steel construction for lifetime durability
- Smooth, easy to clean work surface top
- Non-marring composite bumpers protect walls and doorways
- Quiet, 4" non-marking casters move cart without disturbing patients
- Casters are also dual-wheel for fluid mobility with extra stability (2 swivel and 2 swivel with brakes)
- Ball bearing drawer slides create smooth, efficient access
- Wide handle for improved ergonomics and easy access
- Clean, contemporary healthcare appearance



#27090P-EL



#27013C-PREL



#27054M-MSEL

| MODEL | SIZE | DISPENSING METHOD | DIMENSIONS | | | BIN WIDTH | # OF BINS | DRAWERS | # OF CASSETTES |
|--------|-----------|-------------------|------------|-----|---------|-----------|-----------|--------------------------------|----------------|
| | | | W | L | H | | | | |
| 27013C | Full-Size | Cassette | 43 1/2" | 23" | 49 1/4" | 3" | 50 | 2 - 3" D; 1 - 6" D 2 - 9" D | 5 |
| 27014C | Full-Size | Cassette | 43 1/2" | 23" | 49 1/4" | 4" | 40 | 2 - 3" D; 1 - 6" D 2 - 9" D | 5 |
| 27025C | Full-Size | Cassette | 43 1/2" | 23" | 49 1/4" | 5" | 30 | 2 - 3" D; 1 - 6" D 2 - 9" D | 5 |
| 27028C | Full-Size | Cassette | 43 1/2" | 23" | 49 1/4" | 8" | 20 | 2 - 3" D; 1 - 6" D 2 - 9" D | 5 |
| 27053M | Full-Size | Unit Dose | 43 1/2" | 23" | 49 1/4" | 3" | 70 | 1 - 9" D 7 - 3" D | N/A |
| 27054M | Full-Size | Unit Dose | 43 1/2" | 23" | 49 1/4" | 4" | 56 | 1 - 9" D 7 - 3" D | N/A |
| 27065M | Full-Size | Unit Dose | 43 1/2" | 23" | 49 1/4" | 5" | 42 | 1 - 9" D 7 - 3" D | N/A |
| 27068M | Full-Size | Unit Dose | 43 1/2" | 23" | 49 1/4" | 8" | 32 | 1 - 9" D 7 - 3" D | N/A |
| 27090P | Full-Size | Punch Card | 43 1/2" | 23" | 49 1/4" | 11" | | 1 - 3" D 3 - 9" D | N/A |

CHOOSE YOUR LOCKING SYSTEM

Add the following suffix to the above model numbers:

-M - Manual Key -EL - Numeric keypad with override key -PREL - Proximity with override key -MSEL - Magnetic stripe with override key



CompX eLock's LockView® Software

LockView makes it easy to monitor audit trails for the last 1500 access attempts, manage users and eLocks, and assign time-based restrictions and dual credential access. Downloading and uploading information is easy. Simply attach one end of the RJ-11 cable to the back of the CompX eLock and the other end to a laptop computer – *there's no need for expensive hardwired systems!* LockView software allows for easy programming, audit trail retrieval and database maintenance. LockView is compatible with Windows™ 95 or newer.



- > Add, edit, view and delete users / supervisors and their credentials
- > Add, edit and delete CompX eLocks
- > Assign access rights between users / supervisors and CompX eLocks in the database
- > Download, view, save, print, archive and delete audit trails
- > Dual credential access available
- > Programmable lockout feature
- > Set real time clock
- > Time-based access restrictions
- > Create user groups
- > USB connection required

Security

Four Locking Options

- Key lock
- Electronic number pad
- Electronic card proximity
- Electronic card slide

Patient Labeling

- Computer-generated or hand-written labels for clear identification
- Plastic windows reduce label tampering
- Easy to change

Narcotics Box

- Separate steel locking box for prescription narcotics
- Separate key for each box

Steel Construction

- Tamper-resistant metal construction with durable epoxy powder coat finish



Organization

Patient Specific Trays

- Molded plastic trays to organize patient medications
- Removable for loading and cleaning

Drawer Dividers

- Organize patient medications
- Easily arrange to different widths

Custom Labels

- Computer generated or hand-written for customization
- Protected by clear plastic windows
- Easy to change

Medication Dispensing

- Cassettes for high patient volume and automated systems
- Unit dose dividers and trays for maximum security
- Large open drawers for 30-day punch cards and supplies

Appearance and Cleaning

- Seamless work surface with smooth easy-to-clean finish
- Contemporary appearance fits healthcare environments

Ergonomics

Top Work Surface

- Large top for writing, organizing, and laptop use
- Three sides to keep supplies contained
- Smooth and easy to sanitize

Handle

- Plastic handle on top enables easy pushing

Casters

- High quality 4" casters roll easily on hard floor or carpet
- Quiet and non-marking
- Wheel locks for stability

Composite Bumpers

- Bumpers on base protect walls and doorways
- Protect staff's ankles from injury

Drawer Handles

- Finger slots allow for easy opening of drawers
- Handles span full drawer width for easy access

PROCEDURE/TREATMENT CARTS

HOMED CLASSIC

Standard Features

- 18- and 20-gauge steel with welded seams provides durability
- Premium 5" (127) donut-shaped casters make this cart easy to maneuver
- Includes 2 swivel, 1 swivel with directional lock and 1 swivel with brake lock casters (factory installed)
- Epoxy-polyester powder coating resists marring, chipping and peeling
- Rubber corner bumpers extend out 1 1/4" to protect walls and furniture
- Removable ABS plastic top allows for thorough cleaning
- Roller bearing drawer slides prevent drawer sticking
- Pre-drilled holes for easy accessory installation
- Push handle for increased control
- One-piece drawer designed for strength and integrity with recessed full-length drawer pull for quick and easy access

5-DRAWER TREATMENT CART

| MODELS | DRAWER SIZE | DIMENSIONS | | | SHIP WEIGHT (LBS.) |
|--------|--|------------|---------|---------|--------------------|
| | | W | D | H | |
| 3915C- | 3 – 3" drawers 1 – 6" drawer 1 – 9" drawer | 31" | 19 5/8" | 38 3/8" | 153 |

Specify color by adding suffix to model #: Autumn White - AW; Red - RD; Blue - BL; Yellow - YE

FREIGHT CLASS 200 STANDARD PRODUCTS SHIP IN 15 DAYS OR LESS

3-DRAWER BEDSIDE CART

- Heavy duty steel construction with welded seams
- Double wall construction for added stability and strength
- Welded-in slide
- ABS plastic top
- Lockable drawers
- Four 3" swivel casters

| MODELS | DRAWER SIZE | DIMENSIONS | | | SHIP WEIGHT (LBS.) |
|--------|--|------------|---------|---------|--------------------|
| | | W | D | H | |
| 3803M- | 3 – 3" drawers 13" bottom compartment | 22 1/2" | 13 1/4" | 28 3/4" | 61 |

Specify color by adding suffix to model #: Autumn White - AW, Yellow - YE

FREIGHT CLASS 200 STANDARD PRODUCTS SHIP IN 3 DAYS OR LESS

5-DRAWER BEDSIDE CART

- Same standard features as 3803M above with added drawers for increased storage

| MODELS | DRAWER SIZE | DIMENSIONS | | | SHIP WEIGHT (LBS.) |
|--------|-------------------------------------|------------|---------|---------|--------------------|
| | | W | D | H | |
| 3805M- | 3 – 3" drawers 2 – 5.75" drawers | 22 1/2" | 13 1/4" | 28 3/4" | 81 |

Specify color by adding suffix to model #: Autumn White - AW, Yellow - YE

FREIGHT CLASS 200 STANDARD PRODUCTS SHIP IN 3 DAYS OR LESS



Classic Cart Accessories - see page 46



#3915CAW



#3803MAW



#3805MAW

HOMED Preferred Carts

Preferred cart upgrades

- Heavy duty, double-wall steel construction for added strength and durability
- Two-thirds bumper system for extra protection
- Built-in sliding side shelf provides additional workspace.
- Counter-weighted base for greater stability
- Hybrid powder coat finish is durable and more colorfast through many years of use
- "Easy Turn" gang locking mechanism for quick locking

Preferred Cart Accessories - see page 46-47

2-DRAWER / 2-DOOR PROCEDURE CART

| MODELS | DRAWER SIZE | DIMENSIONS | | | SHIP WEIGHT (LBS.) |
|---------|--|------------|-----|-----|-----------------------|
| | | W | D | H | |
| 23922M- | 1 – 3" drawer | 26 1/2" | 22" | 43" | 168 |
| | 1 – 6" drawer | | | | |
| | 20" doors with 1 adjustable pull-out shelf | | | | |

Specify color by adding suffix to model #: Autumn White - AW; Red - RD; Blue - BL; Yellow - YE



#23922MAW
shown with
optional folding
side shelf 3002M

8-DRAWER TREATMENT CART

| MODELS | DRAWER SIZE | DIMENSIONS | | | SHIP WEIGHT (LBS.) |
|---------|----------------|------------|-----|-----|-----------------------|
| | | W | D | H | |
| 23968M- | 7 – 3" drawers | 26 1/2" | 22" | 43" | 216 |
| | 1 – 9" drawer | | | | |

Specify color by adding suffix to model #: Autumn White - AW; Red - RD; Blue - BL; Yellow - YE

| | | | | | |
|-----------|----------------|---------|-----|-----|-----|
| 23968MAO* | 7 – 3" drawers | 26 1/2" | 22" | 43" | 176 |
| | 1 – 9" drawer | | | | |

*Autumn White shell with orange drawers denotes Latex Free



9-DRAWER TREATMENT CART

| MODELS | DRAWER SIZE | DIMENSIONS | | | SHIP WEIGHT (LBS.) |
|---------|----------------|------------|-----|-----|-----------------------|
| | | W | D | H | |
| 23969M- | 8 – 3" drawers | 26 1/2" | 22" | 43" | 220 |
| | 1 – 6" drawer | | | | |

Specify color by adding suffix to model #: Autumn White - AW; Red - RD; Blue - BL; Yellow - YE



#23968MAO

#23969MAW

ACCESSORIES

CLASSIC & PREFERRED CART ACCESSORIES

| MODEL | DESCRIPTION |
|-----------|--|
| 23010M | Break-Away Seals, Padlock Bodies, 100/pkg |
| B15PK | Bumper Kit |
| 23004M | Cardiac Board & Bracket - Bracket Black - Board White, 15" x 21" |
| 6036M | 4" Casters For 3803M & 3805M |
| 6015M | Coat Rack |
| 6016M | Drawer Trays - 2 1/2"H (2) w/adjustable dividers (10) |
| 6060M | Drawer Trays - 6" H (2) w/adjustable dividers (10) |
| 6080M | Drawer Trays - 8" H (2) w/adjustable dividers (10) |
| 3002M | Folding Side Shelf, Specify Color: Red -3002MRD, Blue -3002MBL, Autumn White - 3002MAW, Yellow - 3002MYE |
| 6037M | Glove Box |
| 6082M | Individual Open Bins (12 per set) |
| 3005M | IV Pole w/brackets, Adjustable |
| 23008M | Preferred Oxygen Tank Bracket, Color: Black, Fits A&B Tanks |
| 6014MT | Molded ABS Plastic Tall Top- 4 1/2" Back Splash |
| 6014M | Molded ABS Plastic Top |
| 6034M | Molded ABS Plastic Top For 3803M |
| 6023M | Outlet - 4-Socket- Black |
| 6024M | Outlet - 6-Socket - Black |
| 6031M | Punch Card Basket, White, 7 3/8"W x 7"H x 16 1/8"D |
| 3006M | Railing & Supports |
| 6042MAW | Suction Unit Holder, 10"H x 19"D x 8"W |
| 6025M | Tape Dispenser |
| 6083M | Tilt Organizer -3 Bin 2 3/4"H x 2 5/8"D x 3 1/8"W (Inside Dimensions) |
| 6084M | Tilt Organizer -4 Bin 6 1/4"H x 5"D x 6"W (Inside Dimensions) |
| 6085M | Tilt Organizer -5 Bin 4 1/4"H x 3 3/4"D x 4"W (Inside Dimensions) |
| 6086M | Tilt Organizer -6 Bin 2 3/4"H x 2 5/8"D x 3 1/8"W (Inside Dimensions) |
| 6089M | Tilt Organizer -9 Bin 2"H x 2"D x 2"W (Inside Dimension) |
| BD3970M | Tray Dividers, 25/pkg for 23970 |
| B3970M | Trays for Cassette, 24/pkg for 23970 |
| 6029M | Utility Basket, White, 8"H x 10"L x 10"W Color: Autumn White |
| 3009M | Utility Hooks (2) |
| 6018M | Waste Bag Holder |
| 6019M-WHT | Waste Bags, White (25) |
| 6019M | Waste Bags, Red (20) |
| 6070MAW | Waste Bin (3 gallon) Removable Lid |
| CSKIT4 | Replacement Caster Kit |



#23010M



#23004M



#6016M



#3005M

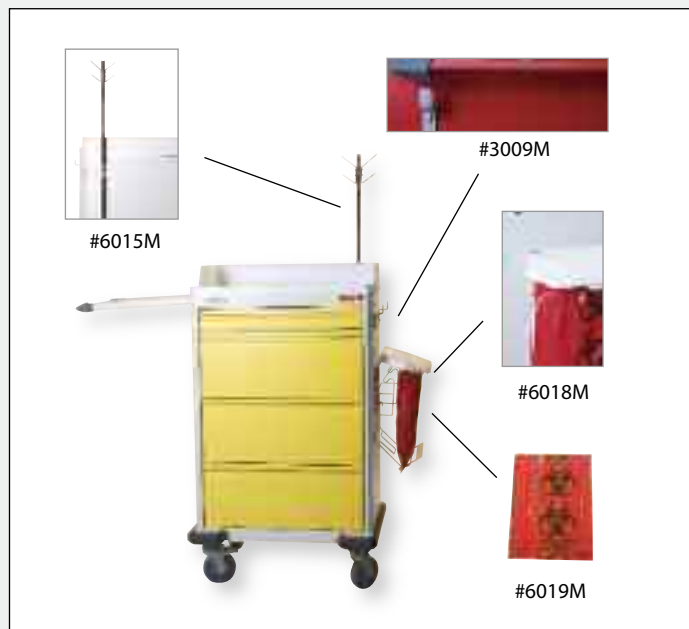
#23008M



#3006M



#6084M



LOCKING BAR

| CLASSIC MODEL | DESCRIPTION | PREFERRED MODEL |
|---------------|-----------------|-----------------|
| CHLB-3 | 3" Locking Bar | HLB-3 |
| CHLB-6 | 6" Locking Bar | HLB-6 |
| CHLB-9 | 9" Locking Bar | HLB-9 |
| CHLB-12 | 12" Locking Bar | HLB-12 |
| CHLB-15 | 15" Locking Bar | HLB-15 |
| CHLB-18 | 18" Locking Bar | HLB-18 |
| CHLB-21 | 21" Locking Bar | HLB-21 |
| CHLB-24 | 24" Locking Bar | HLB-24 |
| CHLB-27 | 27" Locking Bar | HLB-27 |
| CHLB-30 | 30" Locking Bar | HLB-30 |



DROP BOXES

PREFERRED CART ACCESSORIES

| MODEL | DESCRIPTION |
|----------|---|
| BBS151A | Replacement Glides |
| B13PK | Bumper Kit |
| 23975MAW | Cart Side Cabinet, 18"W x 6"D x 32"H, Color: Autumn White |
| 26014M | Preferred Cart Molded ABS Plastic Top |
| 26014MT | Tall Top for Preferred Carts- 4 1/2" Back Splash |
| 26020MA | Monitor Shelf, Angled - Color: Autumn White |
| 26020MS | Monitor Shelf, Straight - Color: Autumn White |
| 26021M | Replacement Trellis Bar |
| 26027M | Replacement Support Rods |
| 26028PK | Kit Includes Brackets for Trellis, #26027M Support Rods and #26021M Trellis Bar |
| 26033M | Defibrillator Shelf, Preferred Cart Black |
| 26039M | Preferred Cart Accessory Bar |
| 23000NC* | 3" Locking Narcotic Box, 7 1/2"W x 17"D x 3"H |
| 29000NC* | 9" Locking Narcotic Box, 7 1/2"W x 17"D x 9"H |
| PT3970M* | Molded ABS Plastic Top |
| 23970CA* | Wire Cassette |
| 6031MPD | Pill Card Dividers |

* Fits 23944MAW and 23970MAW only



#23975MAW



#26028PK



#26033M



#29000NC

REPLACEMENT KEY & LOCK PROGRAM

Replacement Lock

| MODEL | DESCRIPTION |
|--------|------------------------------|
| 111460 | Dimple Lock with 1 Key Pull |
| 111461 | Dimple Lock with 2 Key Pulls |
| 111468 | Break-Away Lock |

Replacement Key

| MODEL | DESCRIPTION |
|--------|-------------------------|
| 111469 | Break-Away Flat |
| 111470 | Dimple Key |
| 111471 | "L" Key (flat) |
| 111473 | Cam Coded Key (Tubular) |

CASTER KIT REPLACEMENT

| MODEL | DESCRIPTION |
|----------|------------------------------|
| CSKIT5PK | 4- 5" Caster Replacement Kit |

SECURITY DROP BOX

Safely deposit and store medications, keys, blood samples or lab work.

- 12" opening on box front for depositing contents of varying sizes
- 18-gauge steel construction provides strength and security
- Wall mounts easily with pre-drilled holes on back panel (Mounting hardware included)
- 2 coded cam locks, keyed separately, for extra protection. Keys included.

| MODEL | | DIMENSIONS | | | SHIP WEIGHT (LBS.) | SHIP |
|---------|--------------|------------|-----|-----|--------------------|------|
| | | W | D | H | | |
| 3820MAW | Autumn White | 14 1/2" | 17" | 20" | 35 | OK |

REFRIGERATOR STORAGE BOX

Easily protect items that need to be stored in the refrigerator.

- Stainless steel box easily secures under refrigerator wire shelf with self-locking nuts and bolts
- 18-gauge steel box with 16-gauge top provides strength and security
- Box cannot be removed from shelf unless unlocked and opened to prevent tampering
- Single lock. 2 keys included. Single Cut Key.

| MODEL | OVERALL DIMENSION | | | INNER DIMENSION | | | SHIP WEIGHT (LBS.) | SHIP |
|---------|-------------------|---------|--------|-----------------|---------|--------|--------------------|------|
| | W | D | H | W | D | H | | |
| 3815MSS | 8 1/4" | 10 5/8" | 6 1/4" | 6 5/8" | 10 1/2" | 6 1/4" | 9 | OK |



#3820MAW

#3815MSS

STANDARD PRODUCTS SHIP IN **10** DAYS OR LESS

STORAGE CABINETS

LOCKING STORAGE CABINETS

- Peg holes on both doors help utilize all available space
- Inside hangers store garments efficiently
- Fully assembled and ready to use
- Epoxy autumn white finish
- Comes with 2 coat hooks for hanging garments.
- Cut key lock for secure storage



#6030MAW

| MODEL | SHELVES | DIMENSIONS | | | SHIP WEIGHT (LBS.) | ups FedEx |
|---------|-----------------------------------|------------|-----|-----|--------------------|--------------|
| | | W | D | H | | |
| 6030MAW | 3 shelves - 1 fixed, 2 adjustable | 30" | 18" | 60" | 98 | NA |
| 6035MAW | 4 shelves - adjustable | 30" | 18" | 60" | 98 | NA |

STANDARD PRODUCTS SHIP IN **15** DAYS OR LESS

MEDICAL STORAGE CABINETS STAINLESS STEEL

A mobile storage cabinet with tempered glass doors ensures that the right supplies get to the right place

- Durable construction with 18-gauge stainless steel body, top, bottom and doors
- Optional 20-gauge sloping top (SC365T) prevents accumulation of dust
- Brakes on 2 of the 4" casters keeps cabinet stable when not in motion
- 1/4" thick clear tempered glass used for the shelves and in the double pane doors clearly displays contents
- Counter weighted base for greater stability
- Great for combination storage systems, see pg. 24



#SC365T

| MODEL | SHELVES | DIMENSIONS | | | SHIP WEIGHT (LBS.) | ups FedEx |
|--------|----------------------------|------------|-----|---------|--------------------|--------------|
| | | W | D | H | | |
| SC36 | 5 shelves | 35 1/2" | 16" | 78 7/8" | 335 | NA |
| SC365T | 5 shelves with sloping top | 35 1/2" | 16" | 78 7/8" | 335 | NA |

STANDARD PRODUCTS SHIP IN **15** DAYS OR LESS

MEDICATION STORAGE CABINETS WITH WINDOWS

- Cut key lock for secure storage
- 2 clear acrylic windows to easily identify contents
- Autumn white



#3826MAW

| MODEL | SHELVES | DIMENSIONS | | | SHIP WEIGHT (LBS.) | ups FedEx |
|---------|---------------------------------|------------|-----|------|--------------------|--------------|
| | | W | D | H | | |
| 3824MAW | 2 shelves 1 fixed, 1 adjustable | 30" | 12" | 30" | 70 | OK |
| 3826MAW | 2 shelves 1 fixed, 1 adjustable | 24" | 12" | 26" | 57 | OK |
| 11280M | Replacement Shelf for 3824MAW | 30" | 11" | 5/8" | 5 | OK |
| 11281M | Replacement Shelf for 3826MAW | 30" | 11" | 5/8" | 5 | OK |

STANDARD PRODUCTS SHIP IN **15** DAYS OR LESS

MEDICATION STORAGE CABINETS

- High-security cam lock prevents tampering
- Wall-mount for convenient access
- 22-gauge steel construction increases durability
- Spring clip door latch.
- Autumn white



#3902MAW

| MODEL | SHELVES | DIMENSIONS | | | SHIP WEIGHT (LBS.) | ups FedEx |
|---------|-----------------------------------|------------|-----|------|--------------------|--------------|
| | | W | D | H | | |
| 3902MAW | 3 shelves - 1 fixed, 2 adjustable | 30" | 10" | 30" | 81 | OK |
| 11280M | Replacement Shelf | 30" | 11" | 5/8" | 5 | OK |

STANDARD PRODUCTS SHIP IN **3** DAYS OR LESS

WALL DESKS

Wall desks save space while conveniently storing records and charts where you need them.

- Top pulls down for 27"x18" writing space, but conveniently folds away when not in use
- Single pocket across desk securely holds documents
- Top mounted lock key prevents unauthorized access
- 16-gauge construction provides superior strength and security
- Hardware not included (due to variations in mounting surfaces)

| MODEL | SHELVES | DIMENSIONS | | | SHIP WEIGHT (LBS.) | ups FedEx |
|-----------|-----------------------------|------------|----|-----|--------------------|--------------|
| | | W | D | H | | |
| 3810MAW-A | Stabilus spring closures | 27" | 4" | 18" | 28 | OK |
| 3810MAW-M | 3810MAW-A with manual close | 27" | 4" | 18" | 28 | OK |
| GS752819 | Replacement Gas Piston | | | | 1 | OK |

FREIGHT CLASS **125**

STANDARD PRODUCTS SHIP IN **10** DAYS OR LESS



#3810MAW-A

#3810MAW-M