



Radiography and Mammography Viewing Systems



S&S RADX

For assistance contact your authorized
RADX Dealer, or call S&S Technology at 800-231-1747
E-mail salesupport@radx.com
www.ssxray.com



Mammography Digital Viewing Station



*Mammography-Digital Viewing Station (MDVS),
consisting of the MS-400DVS as shown on top of
the DVS-2-MS*

Mammography Digital Viewing Station

The **Mammography Digital Viewing Station (MDVS)** is designed for departments converting to digital mammography systems, as an efficient workstation to compare the new digital studies with the previous "hard copy" films.

Mammography films are mounted on a motorized viewer directly above the location of the monitors, minimizing space between images. The viewing station incorporates a single motorized film belt on the upper tier and the capability of accommodating up to four CRT/Flat Panel Monitors in the lower section.

The single motorized belt has a capacity of 400 (24 x 30 cm) films or 600 (18 x 24 cm) films. It is extremely bright, with luminance output exceeding ACR recommendations for Mammography.

It features external horizontal shutters and automated vertical shades for efficient film masking. Convenient controls provide user-friendly operation of the belt and vertical shades. The optional Auto-Select feature allows for quick film retrieval.

The large work counter surface minimizes clutter, and two pullout-writing shelves allow the user abundant work space.

Four convenient power receptacles are present for a dictaphone, laptop, or other auxiliary power requirements. The DVS was designed to have abundant leg room for a comfortable work area optimized for up-close, detail work.

SPECIFICATIONS

MS400DVS

Dimensions (inches)

Height.....20.25
 Width.....60.50
 Depth.....24.125

Capacity

Films.....400 (24 x 30 cm)
 600 (18 x 24 cm)

Approx Ship Weight (lbs).....320

DVS2-MS

Dimensions (inches)

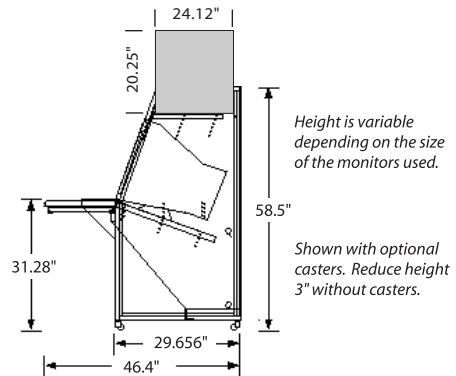
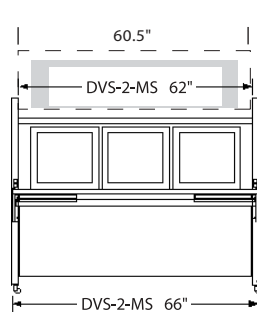
Height.....58.50
 Width.....66
 Depth.....46.40 w/shelf

**Height is variable depending on the size of the monitors used.*

MS400DVS

Power Requirements

120 VAC / 60 Hz, 6 Amp
 Heat Output - 2000 BTU / Hr Max.



10625 Telge Road • Houston, TX 77095
 800-231-1747 • Fax 281-815-1494
 www.ssxray.com • salessupport@radx.com

Mammography Workstation

For Comparing Films with Electronic Images



Mammography Workstation

Elegant combination of digital and film display. The Mammography Workstation is the perfect answer for those departments converting to new digital formats while comparing these images to prior film-based studies. It combines into one compact frame both a motorized film belt and an area for a PACS or CAD workstation, resulting in an elegant mammography reading station.

Improving the radiologist's efficiency. The Mammography Workstation places both the films and digital images in front of the radiologist, thus eliminating awkward reading positions that occur when a computer workstation is adjacent to a motorized viewer.

The motorized belt holds up 600 films (18 x 24 cm), and exceeds ACR recommendations for mammography reading. Its external horizontal shutters and automated vertical shade provide efficient film masking.

At your fingertips for convenience and ease of use. To maximize the radiologist's workspace, the desk extends the width of the viewer. The standard touchpad controls for the motorized belt put random frame selection, as well as lighting and shade management at the radiologist's fingertips. Next and Previous buttons support quick movement during sequential film reading; moreover, an optional Foot Switch also can be used for hands-free belt activation. For convenient computer hardware connections, the Mammography Workstation includes a six-outlet, hospital-grade power strip with its own power switch.

Specifications

Product Number	08-01001	Frame access	
Luminance	Exceeds ACR recommendations for mammography	Next/Prior	Standard buttons
Dimming	5 positions	Specific Frame Access	Numeric keypad integrated with control panel
Lamps	4 fluorescent lamps; 40 Watts each	Dimensions, in inches	
Viewing format	4-across (24 x 30 cm); 6-across (18 x 24 cm)	Operating (WxHxD)	62 x 62.5 x 44.75, including casters
Viewing area (WxH)	102 x 30 cm (40 x 12 inches)	Shipping (WxHxD)	62 x 62.5 x 30, including casters
Films		Desk (WxHxD)	61.75 x 29 x 15.5, with cut-out for close reading
Transport mechanism	1 horizontal belt; 100 frames	Weight	600 lbs.
Capacity, total	400-24 x 30 cm; 600-18 x 24 cm	Electrical	118 VAC, 60 Hz, 10 Amps; 6-outlet, hospital-grade power strip included with separate power switch
Masking		Color Temperature	6,500 K
Vertical	One continuous motorized shade; 2 programmable positions	Maximum Heat Output	3,000 BTU/hr
Horizontal	Two manual shutters (left and right)	Certifications/Listings	UL and Canadian UL

CAD and/or PACS system not included.



10625 Telge Road • Houston, TX 77095
800-231-1747 • Fax 281-815-1444 • www.ssxray.com • salesupport@radx.com

CrystalViewer

For Mammography



CrystalViewer

For Mammography

Ideal system for mammography evaluations. The CrystalViewer enhances productivity by allowing the radiologist to adjust luminance to the intensity needed for each image's density. The motorized vertical shade spans the width of each light box, eliminating the problem of light leakage that occurs between divided shade systems. Each vertical shade has two programmable settings.

The CrystalViewer's dual independent belt system allows one belt to move while the other remains stationary. Thus, the radiologist can scroll through an unlimited number of the patient's earlier films while current mammograms remain constantly in view. The two 100-frame belts combine for up to 800 films (24 x 30 cm).

Easy to learn and control. The CrystalViewer's digital control panel has been arranged for intuitive use. It includes belt action controls, Previous/Next buttons, buttons for adjusting luminance and the vertical shades, and a Liquid Crystal Display. The integrated keypad provides a quick, efficient method for reading films that are not placed sequentially on the viewer. The LCD shows at-a-glance status of the luminance setting and belt position. The standard Foot Switch provides a hands-free method of frame control.

Specifications

Product Number	08-00972
Luminance	Exceeds ACR recommendations for reading mammography
Dimming	5 positions
Lamps	4 – 48-inch daylight fluorescent lamps per light panel; 40 Watts each
Viewing format	4-over-4 (24 x 30 cm); 6-over-6 (18 x 24 cm)
Viewing area (WxH)	102 x 30 cm (40 x 12 inches) per belt
Films	
Transport mechanisms	2 single-tier, horizontal belts; 100 frames per belt
Capacity, total	800–24 x 30 cm; 1,200–18 x 24 cm
Masking	
Vertical	One motorized shade (per tier); programmable preset positions
Horizontal	Two manual shutters (left and right) per tier
Frame access	
Next/Prior	Standard buttons
Specific Frame Access	Numeric keypad integrated with control panel
Dimensions, in inches	
Shipping (WxHxD)	62 x 62.5 x 30, including casters
Operating (WxHxD)	62 x 62.5 x 42, including casters
Desk (WxHxD)	40 x 29 x 12
Depth of leg space	21
Weight	615 lbs.
Electrical	117 VAC, 60 Hz, 10 Amps
	Convenient 1 Amp (MAX) Accessory outlet
Color Temperature Rating	6,500 K
Maximum Heat Output	2,870 BTU/hr
Certifications/Listings	UL and Canadian UL



Technology

10625 Telge Road • Houston, TX 77095

800-231-1747 • Fax 281-815-1444 • www.ssxray.com • salessupport@radx.com

MS824

Mammography Viewer



MS824

Mammography Viewer

**Perfect for
high-volume
screening centers.**

The MS824A mammography viewer provides a cost-effective solution for high-volume centers. The single-belt system supports and 800-film capacity in a 4-over-4 format, thus ensuring that radiologists won't spend extra time waiting for film to be loaded or unloaded.

At your fingertips.

The control panel includes Next and Prior buttons to ensure the radiologist can efficiently screen films. Four motorized vertical and two manual horizontal shades provide quick film masking.

**Accessories and
Options.**

Auto Select, Belt Advance Foot Switch, Pivot or Fixed Instrument Mounting Arm, and Film Jacket File.

Specifications

Product Number	08-00984
Peak Luminance	6,000 Nit
Color Temperature	6,500 K
Lamps	4 Daylight fluorescent lamps per light panel (2 panels)
Maximum Heat Output	3,600 BTU/hr
Fluorescent Dimming	5 Positions
Film Capacity (Standard)	800-24 x 30 cm
Film Belt	1 Dual-tier, horizontal; 100 frames
Vertical Masking	2 Motorized Shades
Horizontal Masking	2 Manual Shutters
Operating Dimensions (WxHxD)	62 x 62.5 x 42.5 inches, including casters
Shipping Dimensions (WxHxD)	62 x 62.5 x 30 inches, including casters
Weight	615 lbs.
Maximum Current	10 Amps
Certifications/Listing	Pending



MS880

Mammography Viewer



MS880

Mammography Viewer

**Three years
of films
at once.**

The MS880A single-belt viewer is wide enough to present twelve 24 x 30 cm mammography films concurrently. Thus, the radiologist can comfortably view three years of film without ever changing belt frames.

At your fingertips.

The control panel includes Next and Prior buttons to ensure the radiologist can efficiently screen films.

**Accessories and
Options.**

Auto Select, Belt Advance Foot Switch, Pivot or Fixed Instrument Mounting Arm, and Film Jacket File.

Specifications

Product Number	08-00987
Peak Luminance	7,000 Nit
Color Temperature	6,500 K
Lamps	6 Daylight fluorescent lamps per light panel (2 panels)
Maximum Heat Output	3,600 BTU/hr
Fluorescent Dimming	5 Positions
Film Capacity (Standard)	780-24 x 30 cm
Film Belt	1 Dual-tier, horizontal; 65 frames
Vertical Masking	2 Motorized Shades
Horizontal Masking	2 Manual Shutters
Operating Dimensions (WxHxD)	69 x 62.5 x 42.5 inches, including casters
Shipping Dimensions (WxHxD)	69 x 62.5 x 30 inches, including casters
Weight	750 lbs.
Maximum Current	10 Amps
Certifications/Listing	Pending



© S&S Technology
February 2002

S&S Technology
10625 Telge Road
Houston, Texas 77095
281-815-1300
Fax: 281-815-1444

For assistance contact your authorized S&S RADX
Dealer or call S&S Technology at 1-800-231-1747
email: salesupport@radx.com
www.ssxray.com

DR014/0202

VersaViewer

For Mammography and
General Radiology



VersaViewer

For Mammography and General Radiology

The perfect choice for multi-film reading. The VersaViewer supports both 14 x 17 inch and mammography-sized films on a vertical belt, allowing the radiology department to mix or match film sizes with equal security of film retention. The combination of a large viewing area and a customized vertical belt allows the radiologist to see three years of mammography studies (18 x 24 cm films) concurrently for the ultimate in film comparison efficiency! The frame is designed to allow the radiologists to comfortably stretch their legs while reading films.

For fast, efficient reading. Moreover, during film placement, the technologist can program the VersaViewer to store the positions for the four independent curtains for each frame. Frame-specific shading improves efficiency by reducing the radiologist's time spent on adjusting the viewer for proper reading conditions.

The viewer also has an optional variable intensity bright spot with joystick control for highlighting and focusing in on extra dense areas of film. When activated, the spotlight automatically finds the non-shaded area.

At your fingertips. The standard touchpad controls put frame selection, as well as lighting and shade management at the radiologist's fingertips. Next and Previous buttons support quick movement during sequential film reading; an optional Foot Switch also can be used for this purpose. To conserve energy, the VersaViewer includes an auto-shutoff feature that triggers after 30 minutes of inactivity. To ensure patient data confidentiality, the viewers have a security code feature that limits access to films. Four convenience outlets installed in the front of the viewer allow for easy installation of such accessories as a spot light and voice recorder.

Specifications

Product Number	08-01005	Masking	
Luminance	Exceeds ACR recommendations for mammography	Vertical	Two motorized shutters; programmable frame memory
Dimming	5 positions	Horizontal	Two motorized shutters; programmable frame memory
Lamps	14 fluorescent lamps; 50 Watts each	Dimensions, in inches	
Viewing format	4-over-4 (14 x 17 inch); 6-over-6 (24 x 30 cm); 8-over-8-over-8 (18 x 24 cm)	Operating (WxHxD)	73.5 x 79 x 44.5, including casters
Viewing area (WxH)	145 x 89 cm (57 x 35 inches)	Shipping (WxHxD)	73.5 x 79 x 30, including casters
Films		Desk (WxHxD)	69 x 30 x 14.5
Transport mechanism	1 vertical belt (customized); 100 frames	Weight	840 lbs.
Capacity, total	400-14 x 17 inch; 800-24 x 30 cm; 1,200-18 x 24 cm	Electrical	118 VAC, 60 Hz, 10 Amps; four convenience outlets
Frame access		Color Temperature	6,500 K
Next/Prior	Standard buttons	Maximum Heat Output	3,600 BTU/hr
Specific Frame Access	Numeric keypad integrated with control panel	Certifications/Listings	UL and Canadian UL



10625 Telge Road • Houston, TX 77095
800-231-1747 • Fax 281-815-1444 • www.ssxray.com • salesupport@radx.com

VistaViewer

For Mammography



VistaViewer

For Mammography

Vertical answer to mammography reading. The VistaViewer for mammography features a high-capacity vertical belt and automated shades to support reading centers concerned with efficient through-put. The viewer offers high luminance for reading dense mammograms. The VistaViewer holds up to 1,200 18 x 24 cm films with no strings to distract or obscure the images; moreover, the belt can be factory customized for displaying 14 x 17 inch radiographs. The frame is designed to allow the radiologists to comfortably stretch their legs while reading films.

NOTE: The 14 x 17 format will decrease belt capacity.

Improved radiologist efficiency. During film placement, the technologist can program the VistaViewer to remember the positions for the four independent curtains for each frame. Thus, when the radiologist accesses a particular frame, the shades will automatically adjust to the appropriate setting for the displayed films. The VistaViewer also has an optional variable intensity bright spot with joystick control for focusing on extra-dense areas of film. When activated, the spotlight automatically finds the non-shaded area.

At your fingertips for security and ease of use. The standard touchpad controls put random frame selection, as well as lighting and shade management at the radiologist's fingertips. Next and Previous buttons support quick movement during sequential film reading; the standard Foot Switch also can be used for this purpose. To conserve energy, the VistaViewer includes an auto-shutoff feature that triggers after 30 minutes of inactivity. To ensure patient data confidentiality, the viewer has a security code feature that limits access to films. Two convenience outlets installed in the front of the viewer allow for easy installation of such accessories as a spot light and voice recorder.

Specifications

Product Number	08-01002	Frame access	
Luminance	Exceeds ACR recommendations for mammography	Next/Prior	Standard buttons
Dimming	5 positions	Specific Frame Access	Numeric keypad integrated with control panel
Lamps	10 fluorescent lamps; 40 Watts each	Dimensions, in inches	
Viewing format	4-over-4 (24 x 30 cm); 6-over-6 (18 x 24 cm); 3 across (14 x 17 inch) ¹	Operating (WxHxD)	61.25 x 72 x 44.5, including casters
Viewing area (WxH)	102 x 64 cm (40 x 25 inches)	Shipping (WxHxD)	61.25 x 72 x 30, including casters
Films		Desk (WxHxD)	57 x 28 x 14.5
Transport mechanism	1 vertical belt; 200 frames	Weight	840 lbs.
Capacity, total	800-24 x 30 cm; 1,200-18 x 24 cm	Electrical	120 VAC, 60 Hz, 15 Amps; Two Convenient 3 Amp (MAX) Accessory outlets
Masking		Color Temperature	6,500 K
Vertical	Two motorized shutters; programmable frame memory	Maximum Heat Output	3,600 BTU/hr
Horizontal	Two motorized shutters; programmable frame memory	Certifications/Listings	UL and Canadian UL

¹Belt may be custom-configured, at no extra charge, to support 14 x 17 inch radiographs



10625 Telge Road • Houston, TX 77095

800-231-1747 • Fax 281-815-1444 • www.ssxray.com • salesupport@radx.com